



PUREPRO USA

PUREPRO
DRINKING WATER SYSTEM

COMPONENTS PRICE LIST

Pure-Pro Water Corp.

Tel: +886-7-3330597 Fax: +886-7-3306696

CONTACT

info@pure-pro.com

export@pure-pro.com

© PUREPRO USA CORP., ILLINOIS, U.S.A.

TOLL FREE No.: 1-800-993-2933





MANUFACTURER & EXPORTER

Pure-Pro Water Corporation was established in 1986, now Pure-Pro has over 96 employees & 6 branch offices in Taiwan. We are the first and the best manufacturer for reverse osmosis drinking water systems in Taiwan.



AWARDS

We believe here at Pure-Pro that we are a company with honesty and integrity built in to everything we do. We have over ten years expertise in reverse osmosis drinking water systems and win Taiwan Best Products Awards and get TAIWAN-GOLD certificated.

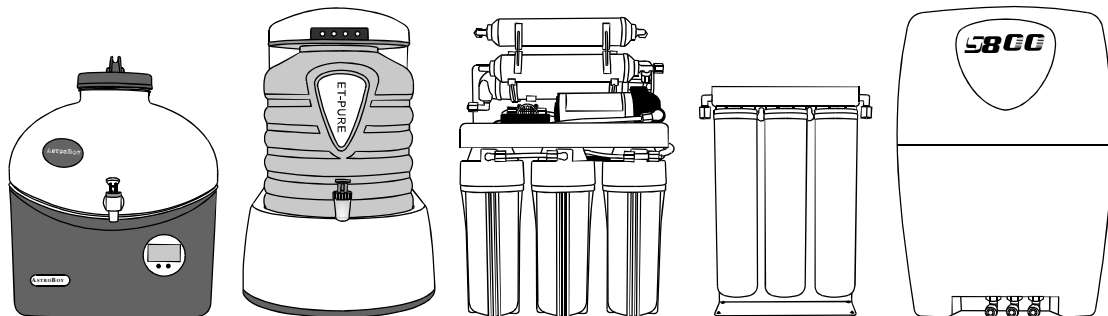
Our unique design features make installation easier and operation more reliable (please visit our products poster), and our wide selection of colors and sizes allows you to solve virtually any RO application. Our goal is to deliver the excellent RO systems which come with high quality but low in price, allows you to focus with confidence on building your business.

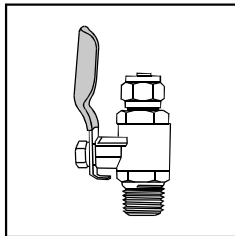
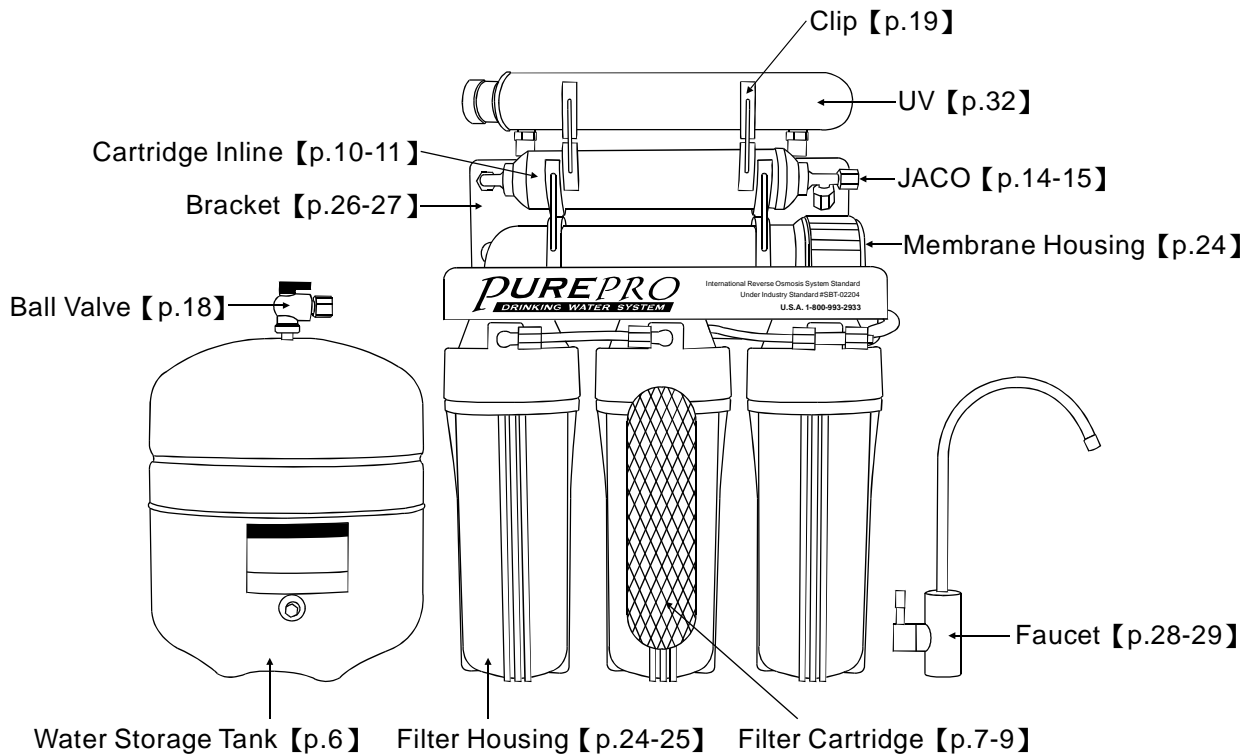


SATISFACTION

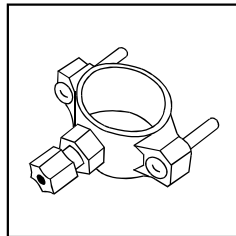
We believe in customers' satisfaction is our highest priority to ensure the very best support from us. For this reason we have a team of well-trained people ready to help and advise you. We realize that when you decide to import RO systems to run your own water purification business, the RO systems you select need to meet a very high standard. This is why we care fully manufacture highest quality systems for you. Each RO system is 100% factory sterilized ready, design innovation and quality guaranteed.

We are your clear choice to compete with today's marketplace, you need to work with an established company offering a range of quality products and experienced technical assistance. For quality, saving and services, we are your clear choice.

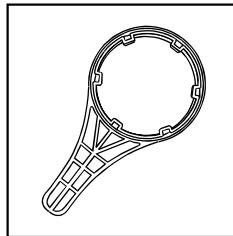




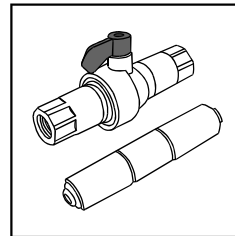
Deliver-Valve [p.21]



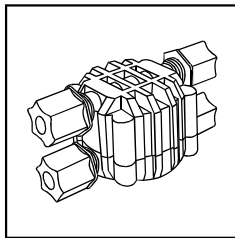
Drain Saddle [p.20]



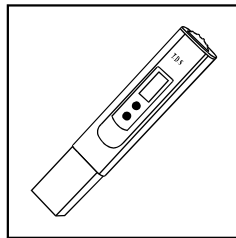
Housing Wrench [p.20]



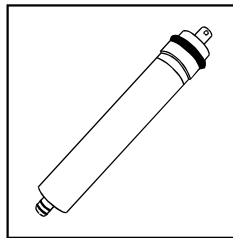
Flow Restrictor [p.19]



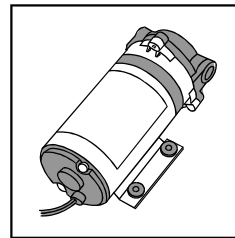
Auto Shut-Off Valve [p.19]



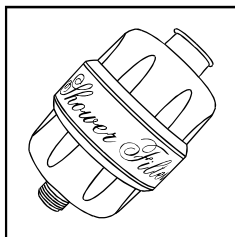
Water Tester [p.30]



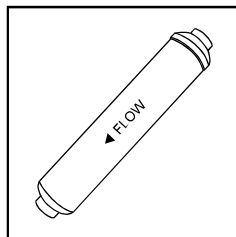
Membrane [p.13]



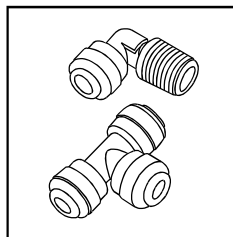
Booster Pump [p.23]



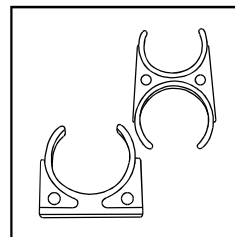
Shower Filter [p.31]



Upgrade Cartridge [p.12]



Quick Fitting [p.16-17]



Clip [p.19]

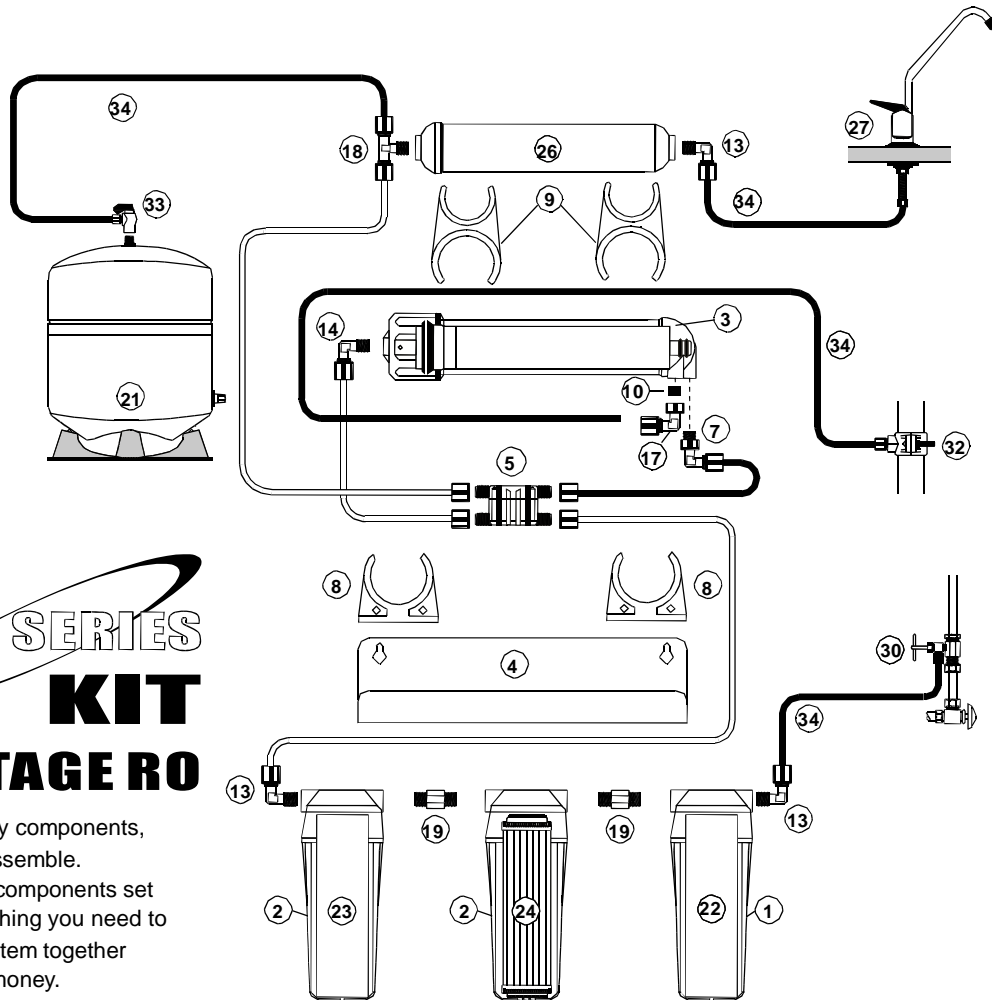
RO SYSTEM

04

PURE-PRO REVERSE OSMOSIS SYSTEM

ERO SERIES KIT 5 STAGE RO

High quality components,
ready to assemble.
Complete components set
with everything you need to
put the system together
and save money.

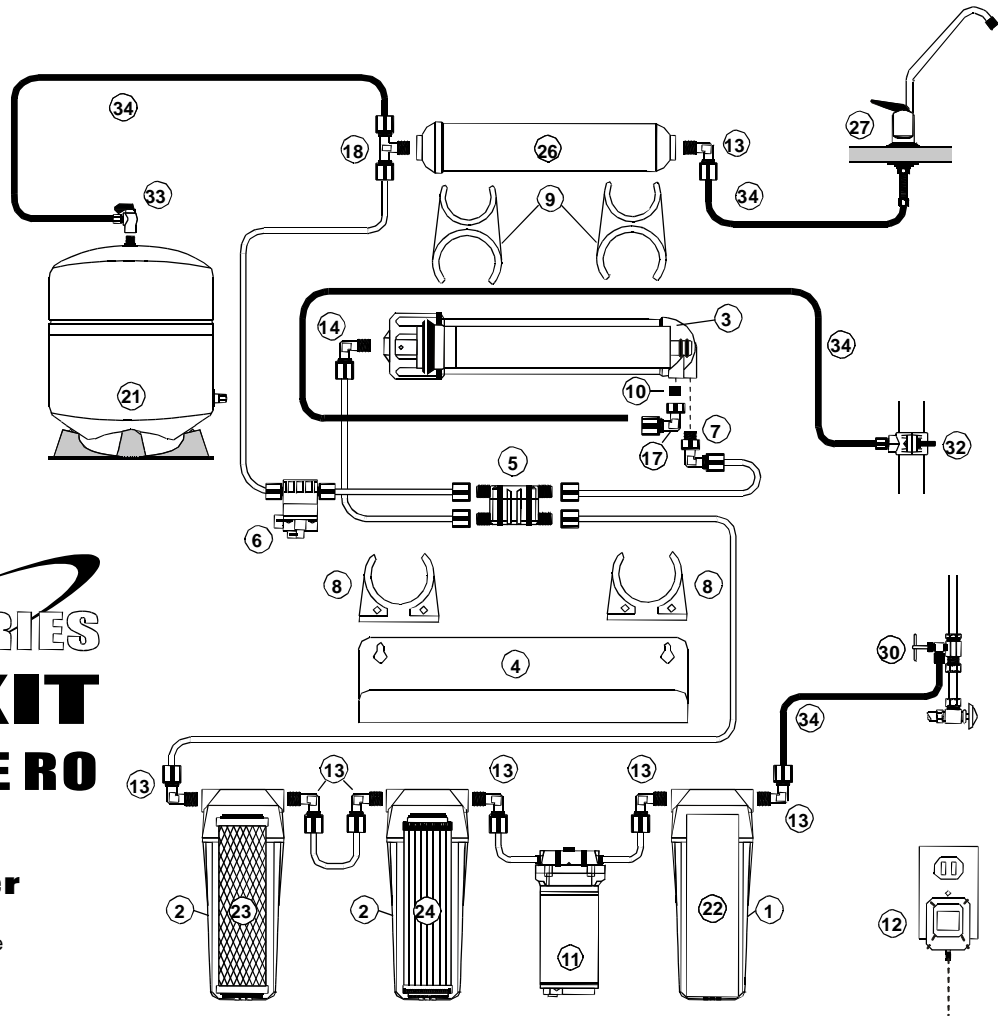


EC105 KIT (5 STAGE RO)

NO.	PART#	DESCRIPTION	QTY.	NO.	PART#	DESCRIPTION	QTY.
1	11011	10" housing 1/4"NPT Clear	1	21	02001	Water storage tank 3.2G Steel Made	1
2	11012	10" housing 1/4"NPT White / Opaque	2	22	03001	5 micron 10" spun sediment filter	1
3	11031	Membrane Housing White 1812	1	23	03002	1 micron 10" spun sediment filter	1
4	12001	Housing Bracket White	1	24	04008	10" activated carbon filter	1
5	08015	Auto Shut-Off Valve	1	25	05004	TFC type membrane 50GPD Made in USA	1
7	08017	Check Valve, Stainless Steel	1	26	04007	Post Carbon Filter	1
8	08006	Single Clip	2	27	108	Brass Type Faucet	1
9	08007	Double Clip	2	28	08037	1/2" Feed Water Connector (optional)	0
10	08023	Mini Flow Restrictor	1	29	08040	1/4" deliver valve (optional)	0
13	06021	4044 Jaco	3	30	08039	Needle Valve	1
14	06020	4042 Jaco	2	31	08032	Housing Wrench , Full Circle	1
18	06038	7544 Jaco	1	32	08027	Drain Water connector	1
19	06001	1042 Jaco	2	33	08001	Tank ball valve 90 degree 1/4"NPT	1
20	06041	Fitting nut	7	34	13001	Color Tubing (White, Black, Blue, Red)	1

ERO SERIES KIT 5 STAGE RO

Booster Pump
Low Pressure



EC105P KIT (5 STAGE RO / BOOSTER PUMP)

NO.	PART#	DESCRIPTION	QTY.	NO.	PART#	DESCRIPTION	QTY.
1	11011	10" housing 1/4"NPT Clear	1	18	06038	7544 Jaco	1
2	11012	10" housing 1/4"NPT White / Opaque	2	19	06001	1042 Jaco	1
3	11031	Membrane Housing White 1812	1	20	06041	Fitting nut	16
4	12001	Housing Bracket White	1	21	02001	Water storage tank 3.2G Steel Made	1
5	08015	Auto Shut-Off Valve	1	22	03001	5 micron 10" spun sediment filter	1
6	08009	Tank Shut-of Switch	1	23	04010	Block carbon filter	1
7	08017	Check Valve, Stainless Steel	1	24	04008	10" activated carbon filter	1
8	08006	Single Clip	2	25	05004	TFC type membrane 50GPD Made in USA	1
9	08007	Double Clip	2	26	04007	Post Carbon Filter	1
10	08023	Mini Flow Restrictor	1	27	108	Brass Type Faucet	1
11	10011	Booster Pump	1	28	08037	1/2" Feed Water Connector (optional)	0
12	10003	Pump Transformer	1	29	08040	1/4" deliver valve (optional)	0
13	06021	4044 Jaco	7	30	08039	Needle Valve	1
14	06020	4042 Jaco	2	31	08032	Housing Wrench , Full Circle	1
15	06002	1044 Jaco	2	32	08027	Drain Water connector	1
16	06022	4046 Jaco	2	33	08001	Tank ball valve 90 degree 1/4"NPT	1
17	06027	4542 Jaco	1	34	13001	Color Tubing (White, Black, Blue, Red)	1

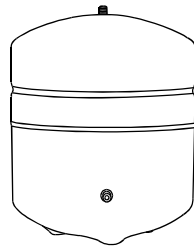
WATER STORAGE TANK

06

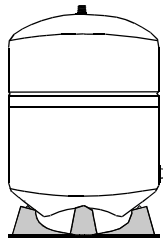
PURE-PRO REVERSE OSMOSIS SYSTEM

METAL TANK

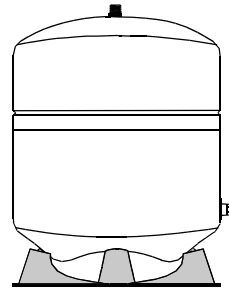
- Stainless Steel connector 1/4" NPTM
- Listed from FDA food proved level materials
- Special designed for residential RO applications
- Reliable diaphragm design
- Discharge efficiently in a vertical or horizontal position
- Comes with a tank holder
- Side mounted air valve
- 5 Year warranty



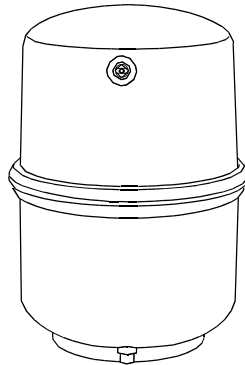
02003



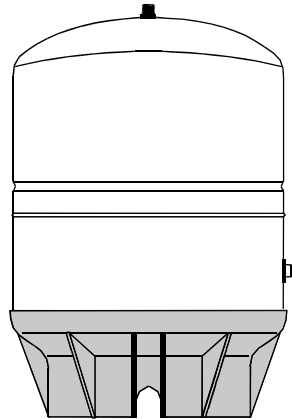
02004



02001



02009



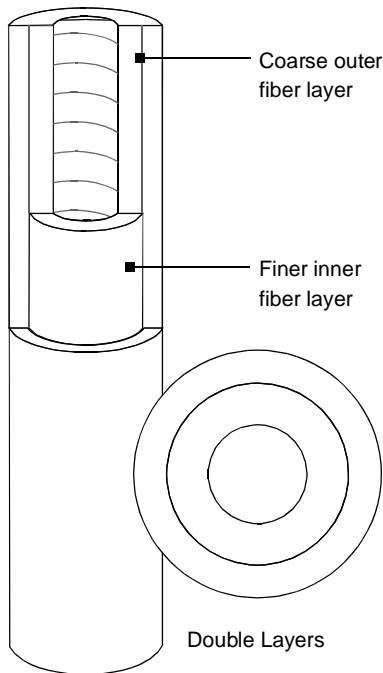
02005

Part No.	Description			QTY.	1-99	100+
02001	RO132	3.2G	NSF	80 pcs	-	-
02003	RO122	2.2G	NSF	80 pcs	-	-
02005	RO1070	10.7G	NSF	30 pcs	-	-
02006	RO2000	20G		1 pcs	-	-
02007	RO2800	28G		1 pcs	-	-
02008	Stainless steel tank			80 pcs	-	-
02009	Plastic tank	4.0G		80 pcs	-	-
02010	Plastic tank	30G		80 pcs	-	-

Sediment

Features of PurePro Sediment Filter:

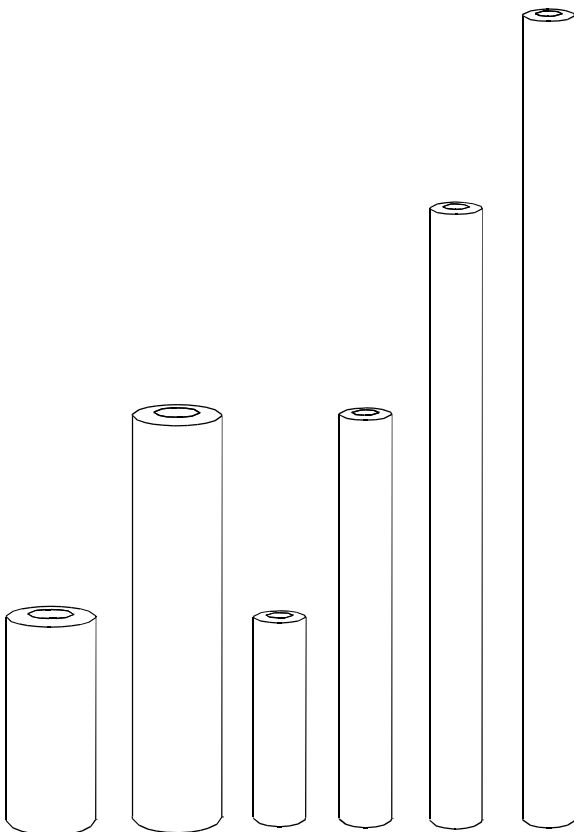
- Absolute assurance of quality. Passed all the industry standard tests.
- Double layers; fine inside, coarse outside. Cartridge's structure becomes progressively loose from inside to outside.
- Polypropylene materials conforming to FDA standard
- Low pressure drop
- Melt-blown method, no bonding agent
- High chemical resistance

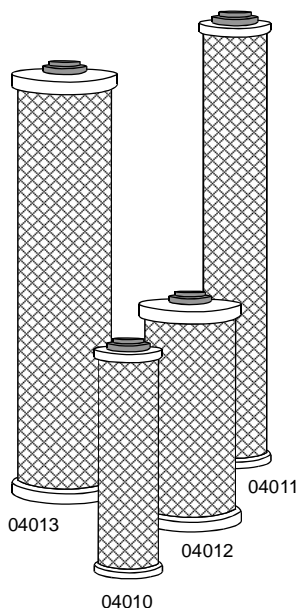


10" x 2.5"		QTY.	Unit Price
03001	PP-10-05	50 pcs	-
03002	PP-10-01	50 pcs	-

20" X 2.5"		QTY.	Unit Price
03004	PP-20-05	25 pcs	-
03005	PP-20-01	25 pcs	-

BB High Capacity		QTY.	Unit Price
03003	PP-10-bigblue	20 pcs	-
03006	PP-20-bigblue	10 pcs	-





Carbon Block

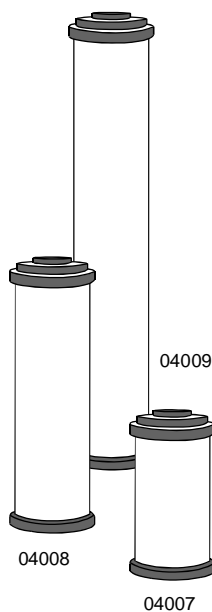
Chlorine, taste and odor removal filter.
 High capacity extruded carbon, Superior.
 Absorption without channeling, fluidizing,
 bypassing or releasing of carbon fines.

- Lead reduction
- Cyst reduction: Giardia Lamblia, Cryptosporidium
- 5 micron rating
- 99.6% average chlorine reduction@1GPM

Carbon block filter

Part No.	Description	QTY.	Unit Price
04010	CTO-10 10"X2.5"	25 pcs	-
04011	CTO-20 20"X2.5"	20 pcs	-
04012	CTO-10-bigblue 10"X4.5"	20 pcs	-
04013	CTO-20-bigblue 20"X4.5"	10 pcs	-

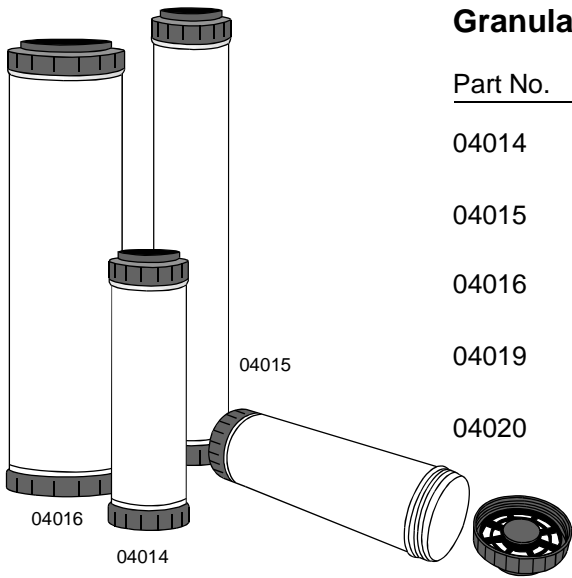
Carbon GAC



Chlorine, taste and odor removal filter.
 High quality coconut shell granular
 activated carbon.

Granular activated carbon

Part No.	Description	QTY.	Unit Price
04008	UDF-10 10"X2.5"	25 pcs	-
04009	UDF-20 20"X2.5"	25 pcs	-

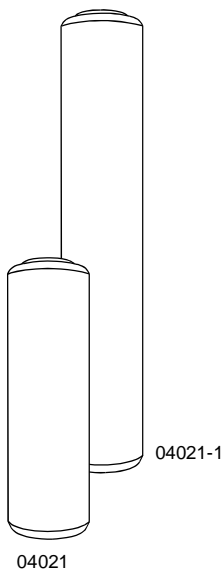


Granular activated carbon

Part No.	Description	QTY.	Unit Price
04014	Removable 10" UDF 10"X2.5"	25 pcs	-
04015	Removable 20" UDF 20"X2.5"	20 pcs	-
04016	Removable 20" BB 20"X4.5"	10 pcs	-
04019	10" Big blue (Empty)	20 pcs	-
04020	10" Big blue (Carbon inside)	20 pcs	-

Chlorine, taste and odor removal filter.
High quality coconut shell granular
activated carbon.

Granular activated carbon

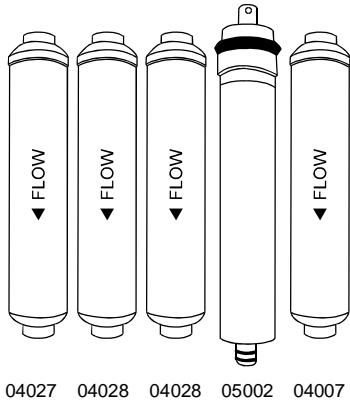


Part No.	Description	QTY.	Unit Price
04021	T33CA-10 10"X2.5"	25 pcs	-
04021-1	T33CA-20 20"X2.5"	20 pcs	-

INLINE CARTRIDGE

10

PURE-PRO REVERSE OSMOSIS SYSTEM

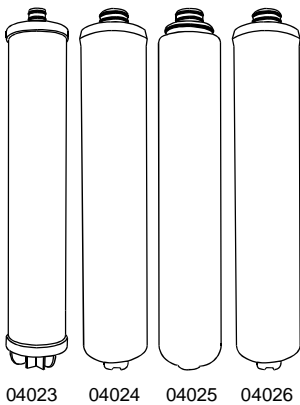


FOR ASTROBOY

Part No.	Description	QTY.	Unit Price
04027	Astroboy sediment filter (1st stage)	25 pcs	-
04028	Astroboy activated carbon (2,3 stage)	25 pcs	-
05002	80GPD TFC membrane (4th stage)	25 pcs	-
04007	Astroboy post carbon filter (5th stage)	25 pcs	-

04027 04028 04028 05002 04007

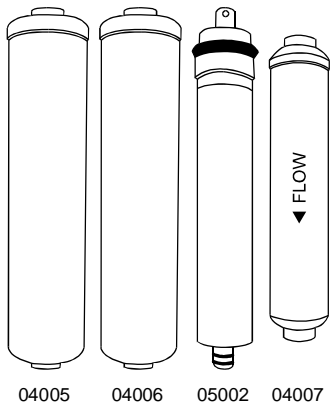
FOR ROASIS



Part No.	Description	QTY.	Unit Price
04023	5micron sediment prefilter (1st stage)	25 pcs	-
04024	Granular carbon prefilter (2nd stage)	25 pcs	-
04025	Filmtec membrane (3rd stage)	25 pcs	-
04026	Post carbon filter (4th stage)	25 pcs	-

04023 04024 04025 04026

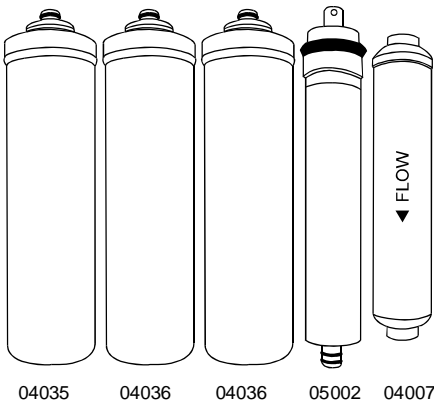
FOR DOUBLE STAR



Part No.	Description	QTY.	Unit Price
04005	Sediment prefilter (1st stage)	25 pcs	-
04006	Carbon prefilter (2nd stage)	25 pcs	-
05002	80GPD TFC membrane (3rd stage)	25 pcs	-
04007	Post carbon filter (4th stage)	25 pcs	-

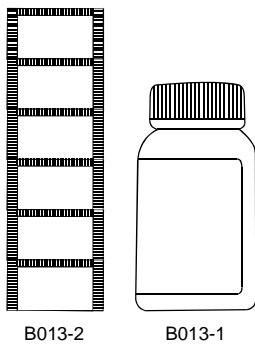
04005 04006 05002 04007

FOR ET-PURE



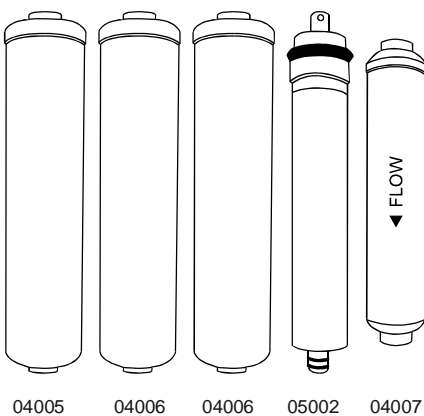
Part No.	Description	QTY.	Unit Price
04035	Sediment prefilter (1st stage)	25 pcs	-
04036	Carbon prefilter (2,3 stage)	25 pcs	-
05002	80GPD TFC membrane (4th stage)	25 pcs	-
04007	Post carbon filter (5th stage)	25 pcs	-

FOR MH943



Part No.	Description	QTY.	Unit Price
B013-2	MH943 carbon filter	25 pcs	-
B013-1	MH943 residue cleaner (500g)	Bottle	-

FOR CW929P / CW698P



Part No.	Description	QTY.	Unit Price
04005	Sediment prefilter (1st stage)	25 pcs	-
04006	Carbon prefilter (2,3 stage)	25 pcs	-
05002	80GPD TFC membrane (4th stage)	25 pcs	-
04007	Post carbon filter (5th stage)	25 pcs	-



04031

Infra-Red Filter

The effect of Infra-red rays on human bodies are as follows:

- Activates water molecules in our body
- Improve oxygen level in our body
- Warming and eliminating fats, chemicals and toxins from our blood and thus smoothening the flow of blood.
- Elimination of other waste from human body
- Reducing the acidic level in our body
- Nervous system functionality improvement.

Technical Specifications:

- Diameter: 53mm
- Length: 254mm
- Max. Flow rate: 250L / 24H
- Max. Pressure: 6bar
- Max. Temperature: 51°C
- Capacity: 6000 liters

Part No.	Description	QTY.	Unit Price
04031	Infra-Red Filter (6th stage)	25pcs	-



04032

Mineral Filter

- This filter improves the quality of clean water by adding necessary healthy minerals for proper human development, such as Calcium, Magnesium, Sodium, Potassium and others readily found in much natural mineral water.
- Mainly installed with RO systems to complete their absolute filtration qualities.

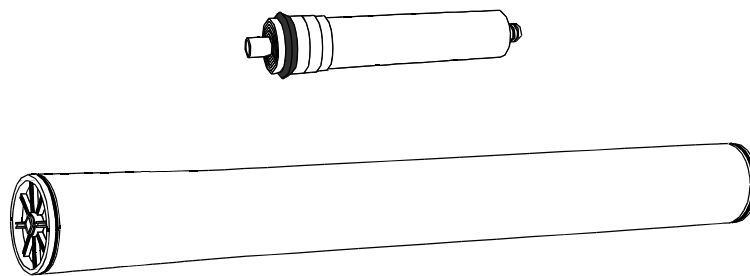
Technical Specifications:

- Diameter: 53mm
- Length: 254mm
- Max. Flow rate: 250L / 24H
- Max. Pressure: 6bar
- Max. Temperature: 51°C
- Capacity: 6000 liters
- Cations in filtered water:
 - Ca²⁺: 34mg/l
 - Mg²⁺: 12mg/l
 - Na⁺: 22mg/l
 - K⁺: 8.5mg/l
- Anions in filtered water:
 - CO₃²⁻: 10mg/l
 - SO₄²⁻: 0.3mg/l
 - Cl: 0.8mg/l
 - F: 0.06mg/l

Part No.	Description	QTY.	Unit Price
04032	Mineral Filter (6th stage)	25pcs	-

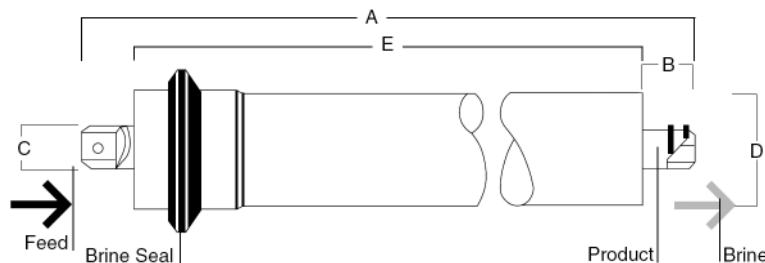
PUREPRO reverse osmosis membrane for home drinking water is industry's most reliable element. Advanced membrane technology and automated fabrication allow these elements to deliver consistent performance that equipment suppliers, water treatment dealers and residential customers can rely on. A thin film composite (TFC) high quality membrane that processes 50 gallons per day. It remove the following hard water contaminants that may be present in your water: lead, cooper, barium, chromium, mercury, sodium, cadmium, fluoride, nitrite, nitrate, and selenium.

PUREPRO home drinking water elements are rated at 50 psi and will purify about 20% more water than competitive elements rated at 60 psi (please see reference charts in the back for more information).



Part No.	Description	QTY.	Unit Price
05001	TFC-50	25 PCS	-
05002	TFC-80	25 PCS	-
05003	TFC-100	25 PCS	-
05005	TFC-200	25 PCS	-
05006	TFC-2521	1 PCS	-
05007	TFC-4021	1 PCS	-
05008	TFC-TW-4040	1 PCS	-
05009	TFC-BW-4040	1 PCS	-

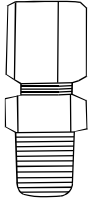
1. Permeate flow and salt rejection based on the following test conditions: 250 ppm softened tapwater, 77°F(25°C), 15% recovery and the specified applied pressure.
2. Minimum salt rejection of 96.0%.
3. Permeate flows for individual element may vary +/-20%.



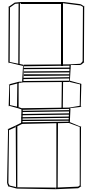
Dimensions-Inches (mm)

Product	A	B	C	D	E
TW30-1812	11.74 (298)	0.87 (22)	0.68 (17)	1.75 (44.5)	10.0 (254)

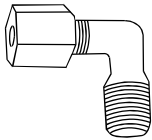
4. TW30-1812 Home Drinking Water Elements fit nominal 2-inch I.D. pressure vessel. 1 inch = 25.4 mm



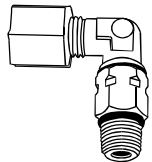
Part No.	Name	Description	500+
06001	JACO-1042	Male connector 1/4" x 1/8"	-
06002	JACO-1044	Male connector 1/4" x 1/4"	-
06003	JACO-1046	Male connector 1/4" x 3/8"	-
06005	JACO-1064	Male connector 3/8" x 1/4"	-
06006	JACO-1066	Male connector 3/8" x 3/8"	-



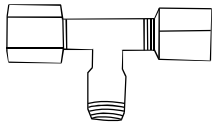
Part No.	Name	Description	500+
06010	JACO-1544	Union & Reducing union 1/4"	-
06011	JACO-1564	Union & Reducing union 1/4"	-
06012	JACO-1566	Union & Reducing union 3/8"	-



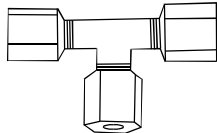
Part No.	Name	Description	500+
06020	JACO-4042	Male elbow 1/4" x 1/8"	-
06021	JACO-4044	Male elbow 1/4" x 1/4"	-
06022	JACO-4046	Male elbow 1/4" x 3/8"	-
06023	JACO-4064	Male elbow 3/8" x 1/4"	-
06024	JACO-4066	Male elbow 3/8" x 3/8"	-
06027	JACO-4542	Female elbow 1/4" x 1/8"	-



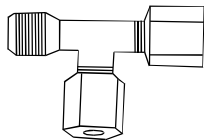
Part No.	Description	500+
08017	Check valve, Stainless steel	-



Part No.	Name	Description	500+
06030	JACO-6042	Male branch Tee 1/4" x 1/8"	-
06031	JACO-6044	Male branch Tee 1/4" x 1/4"	-
06032	JACO-6046	Male branch Tee 1/4" x 3/8"	-
06033	JACO-6066	Male branch Tee 3/8" x 3/8"	-



Part No.	Name	Description	500+
06036	JACO-7044	Union Tee 1/4"	-
06037	JACO-7066	Union Tee 3/8"	-



Part No.	Name	Description	500+
06038	JACO-7544	Male run Tee 1/4" x 1/4"	-
06039	JACO-7566	Male run Tee 3/8" x 3/8"	-

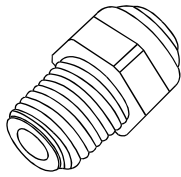


Part No.	Name	Description	500+
06041	Fitting 1/4"	Fitting 1/4"	-
06042	Fitting 3/8"	Fitting 3/8"	-

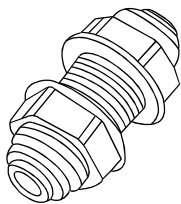


Part No.	Name	Description	500+
06044	Nippon 1/4"	Nipple 1/4"	-
06045	Nippon 3/8"	Nipple 3/8"	-
06046	Nippon 1/2"	Nipple 1/2"	-
06047	Nippon 6/8"	Nipple 3/4"	-

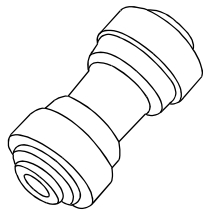
QUICK FITTING



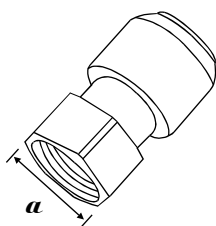
Part No.	Tube O.D	NPTF Thread	100+
MC0402	1/4	1/8	-
MC0404	1/4	1/4	-
MC0406	1/4	3/8	-
MC0604	3/8	1/4	-
MC0606	3/8	3/8	-
MC0608	3/8	1/2	-



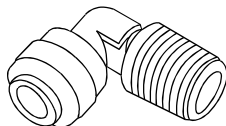
Part No.	Tube O.D	Tube O.D	100+
BU0404	1/4	1/4	-
BU0406	1/4	3/8	-
BU0606	3/8	3/8	-



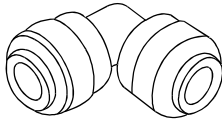
Part No.	Tube O.D	Tube O.D	100+
UC0404	1/4	1/4	-
UC0604	3/8	1/4	-
UC0606	3/8	3/8	-



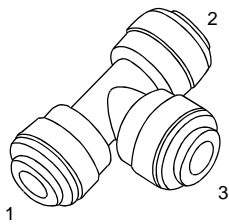
Part No.	Tube O.D	UNF Thread	α / mm	100+
FA04-716	1/4	7/16	17.5mm	-
FA06-716	3/8	7/16	17.5mm	-
FA0404	1/4	1/4	20.5mm	-



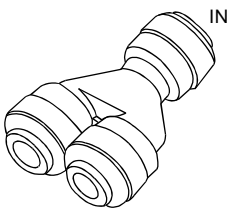
Part No.	Tube O.D	NPTF Thread	100+
ME0402	1/4	1/8	-
ME0404	1/4	1/4	-
ME0406	1/4	3/8	-
ME0604	3/8	1/4	-
ME0606	3/8	3/8	-



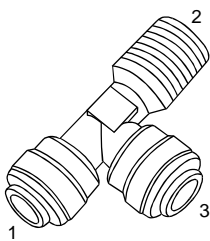
Part No.	Tube O.D	Tube O.D	100+
UE0404	1/4	1/4	-
UE0604	3/8	1/4	-
UE0606	3/8	3/8	-



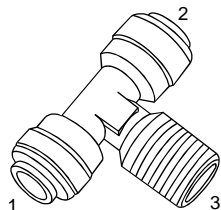
Part No.	1.Tube O.D	2.Tube O.D	3.Tube O.D	100+
UT0404	1/4	1/4	1/4	-
UT0604	1/4	1/4	3/8	-
UT0606	3/8	3/8	3/8	-



Part No.	Tube IN	Tube OUT	Tube OUT	100+
TWD0404	1/4	1/4	1/4	-
TWD0604	3/8	1/4	1/4	-
TWD0606	3/8	3/8	3/8	-

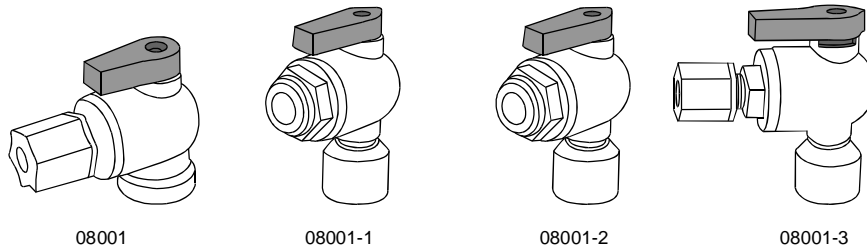


Part No.	1.Tube	2.NPTF Thread	3.Tube	100+
MRT0404	1/4	1/4	1/4	-
MRT0606	3/8	3/8	3/8	-

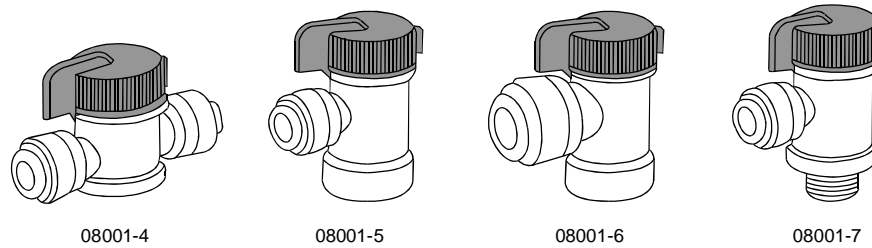


Part No.	1.Tube	2.Tube	3.NPTF Thread	100+
SBT0404	1/4	1/4	1/4	-
SBT0606	3/8	3/8	3/8	-

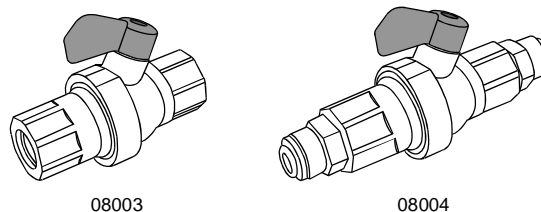
BALL VALVE



Part No.	Description	QTY.	50+
08001	1/4" x 1/4" Elbow jaco connector	100 pcs	-
08001-1	1/4" x 1/4" Elbow quick connector	100 pcs	-
08001-2	3/8" x 3/8" Elbow quick connector	100 pcs	-
08001-3	1/4" x 1/4" Male jaco connector	100 pcs	-

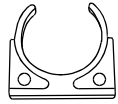


Part No.	Description	QTY.	50+
08001-4	Hand valve union connector 1/4" x 1/4" Quick connector	100 pcs	-
08001-4-1	Hand valve union connector 3/8" x 3/8" Quick connector	100 pcs	-
08001-5	1/4" x 1/4" Elbow quick connector	100 pcs	-
08001-6	1/4" x 3/8" Elbow quick connector	100 pcs	-



Part No.	Description	QTY.	50+
08003	1/4" x 1/4" Straight female connector	100 pcs	-
08004	1/4" x 1/4" Straight connector with flow restrictor	100 pcs	-

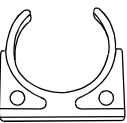
CLIP



08005

2" In-line filter clip

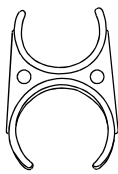
Part No.	QTY.	200+
08005	200 pcs	-



08006

2-1/2" Membrane clip

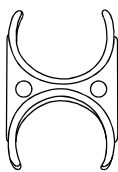
Part No.	QTY.	200+
08006	200 pcs	-



08007

2-1/2"x2" Membrane / In-line clip

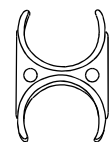
Part No.	QTY.	200+
08007	200 pcs	-



08008

2-1/2"x2-1/2" Double Clip

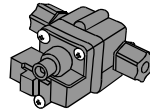
Part No.	QTY.	200+
08008	200 pcs	-



08008-1

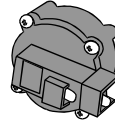
2" x 2" Double Clip (small)

Part No.	QTY.	200+
08008-1	200 pcs	-



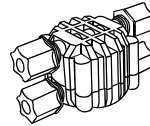
08009

Part No.	Description	50+
08009	Tank shut-off switch	-



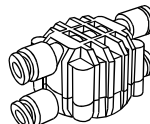
08010

Part No.	Description	50+
08010	Low pressure switch	-



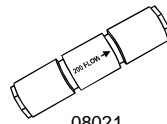
08015

Part No.	Description	50+
08015	Auto shut-off valve	-



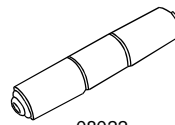
08016

Part No.	Description	50+
08016	Auto shut-off valve for quick fittings	-



08021

Part No.	Description	50+
08021	Flow restrictor 300L (Jaco type)	-



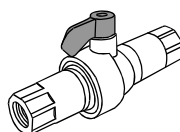
08022

Part No.	Description	50+
08022	Flow restrictor 300L (Quick fitting connector)	-



08023

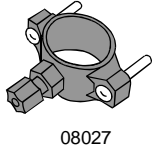
Part No.	Description	100+
08023	Mini flow restrictor	-



08024

Part No.	Description	50+
08024	Flush & flow restrictor	-

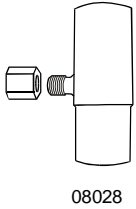
INSTALLATION KIT



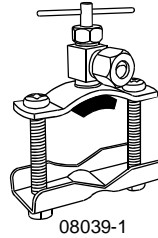
Part No.	Description	50+
08027	Drain water connector A	-



Part No.	Description	50+
08039	Self piercing valve 1/4"	-



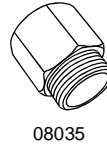
Part No.	Description	50+
08028	Drain water connector B	-



Part No.	Description	50+
08039-1	Self piercing valve 1/4"	-



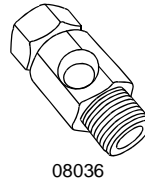
Part No.	Description	50+
08032	Housing wrench full circle 10"	-



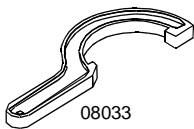
Part No.	Description	50+
08035	Feed water connector 1/2"	-



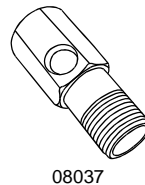
Part No.	Description	50+
08032-A	Housing wrench double side	-



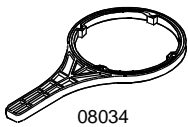
Part No.	Description	50+
08036	Feed water connector 1/2"	-



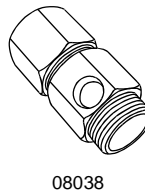
Part No.	Description	50+
08033	Housing wrench 20"	-



Part No.	Description	50+
08037	Feed water connector 1/2"	-

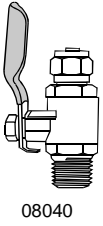


Part No.	Description	50+
08034	Housing wrench, full circle 10"	-



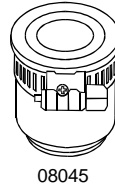
Part No.	Description	50+
08038	Feed water connector 3/4"	-

INSTALLATION KIT



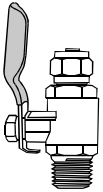
08040

Part No.	Description	50+
08040	Deliver Valve pip 1/4"	-



08045

Part No.	Description	50+
08045	Feed water connector kit	-



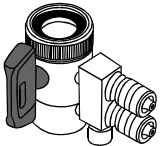
08041

Part No.	Description	50+
08041	Deliver valve pip 3/8"	-



08046

Part No.	Description	50+
08046	Feed water connector head	-



08042

Part No.	Description	50+
08042	Feed water connector	-



08047

Part No.	Description	50+
08047	Feed water connector head	-



08043

Part No.	Description	50+
08043	Feed water connector	-



08048

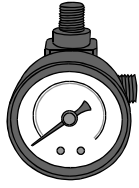
Part No.	Description	50+
08048	Counter top drinking faucet	-



08044

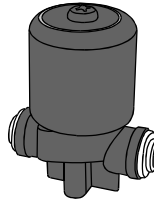
Part No.	Description	50+
08044	Feed water connector	-

INSTALLATION KIT



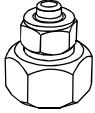
08050

Part No.	Description	50+
08050	Pressure gauge	-



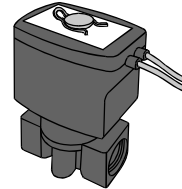
08057

Part No.	Description	50+
08057	Solonoid valve 1/4"	-



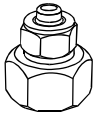
08052

Part No.	Description	50+
08052	Garden hose adapter 1/4" tube	-



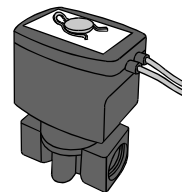
08058

Part No.	Description	50+
08058	Solonoid valve 1/4"	-



08053

Part No.	Description	50+
08053	Garden hose adapter 3/8" tube	-



08059

Part No.	Description	50+
08059	Solonoid valve 1/2"	-



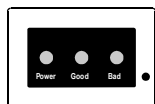
08054

Part No.	Description	50+
08054	103 box micro processor	-



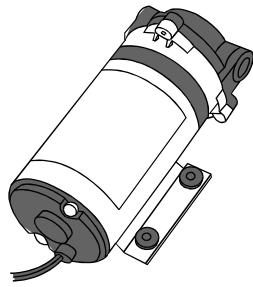
08055

Part No.	Description	50+
08055	103TDS box micro processor	-



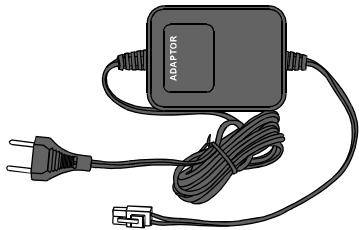
08056

Part No.	Description	50+
08056	105TDS box micro processor	-



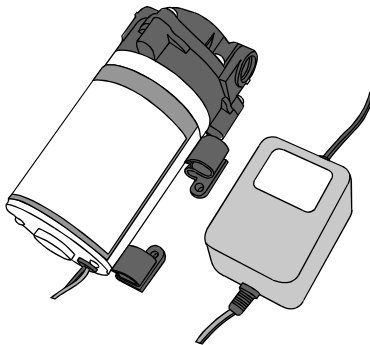
10011

Part No.	Description	Unit Price
10011	Pure Pro Booster pump	-



10001

Part No.	Description	Unit Price
10001	Pump transformer	-



10005

Part No.	Description	Unit Price
10005	High flow booster pump with transformer	-

SuperPump

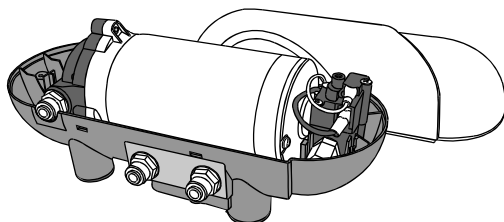
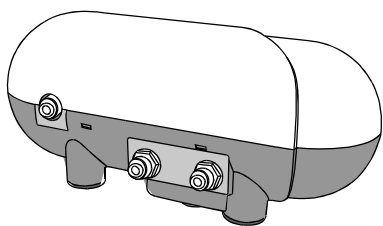
A Specialized, Affordable RO Booster Pump and Automatic Shut-off System

The World's First Integrated RO Booster Pump

SuperPump is a revolutionary new design. Designed for where feed water has very low water pressure (under 45psi) or where the source water contains higher than normal amounts of dissolved solids. Easily upgrade your RO production from 50 gallons per day to almost 100 gallons per day.

SPECIFICATIONS:

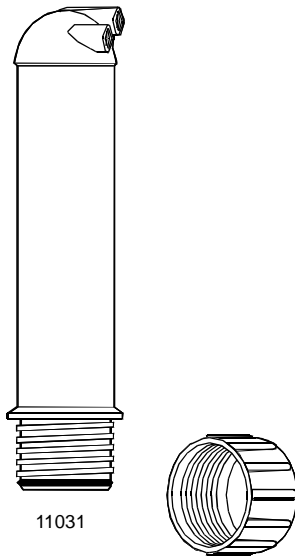
- Power source: AC 110V ~ AC 240V
- Dimensions: 28 (L) x 12 (W) x 12 (H) cm
- Unit Weight: 5 kg



10007

Part No.	Description	Unit Price
10007	SuperPump	-

MEMBRANE HOUSING



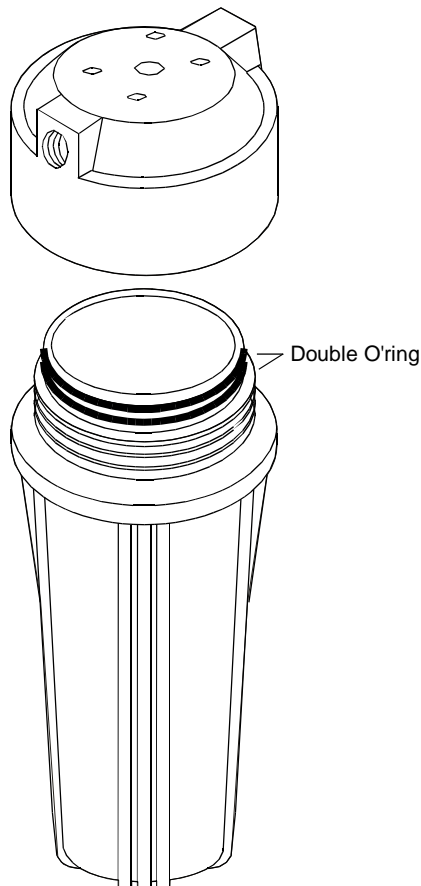
Manufactured with the highest quality FDA grade 100% polypropylene.

Part No.	Description	QTY.	35+
11031	Membrane Housing White Color 1812	35 pcs	-

- 1/8" NPT
- Max. Burst: 500 psi
- Cycle Test: 0-150 psi, 100,000 times
- Max. Operating: 125 psi
- Max. Temp: 120°F



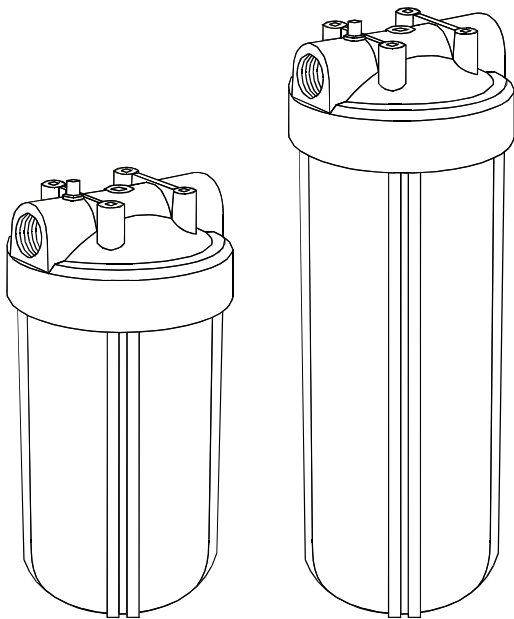
FILTER HOUSING



Filter Housings are constructed of reinforced polypropylene. Ideal for using in higher flow capacity application such as spas, hot tubs, irrigation, farm and many other commercial uses. Perfect for commercial RO. With Pressure Release Valve, 1", 1 1/2" NPT, 10" or 20" Long

Part No.	Description	QTY.	12+
11011	10" housing 1/4"NPT Clear Housing	12 pcs	-
11012	10" housing 1/4"NPT White Color Opaque	12 pcs	-

Filter Housings are constructed of reinforced polypropylene. Ideal for use in higher flow capacity application such as spas, hot tubs, irrigation, farm and many other commercial uses. Perfect for commercial RO. With Pressure Release Valve, 1", 1 1/2" NPT, 10" or 20" Long

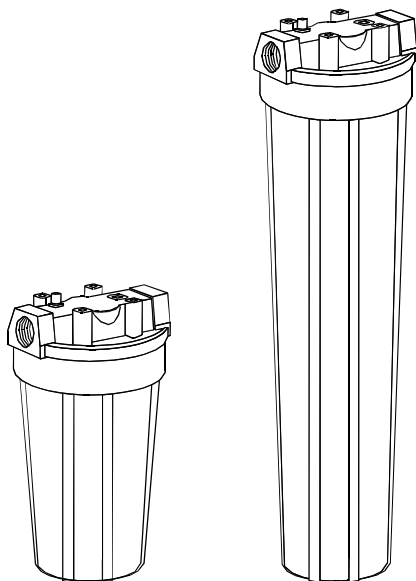


Operating Data:

- Max. Pressure: 10" - 100 psi
20" - 90 psi
- Max. Flow Rate: 10" - 40 GPM
20" - 50 GPM
- Max. Temperature: 100° F (37.7° C)

10" x 4.25"	QTY.	1~99	100+
11022	12 pcs	-	-
20" x 4.25"	QTY.	1~99	100+
11024	6 pcs	-	-

Filter housings are constructed of reinforced polypropylene. Recommended for low flow residential, recreational vehicles, food service equipment and other low flow applications. With Pressure Release Valve, 3/8", 1/2" and 3/4" NPT, 20" Long



Operating Data:

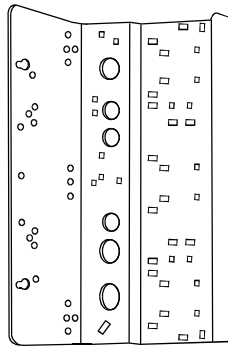
- Max. Pressure: 125 psi
- Max. Temperature: 120° F (50° C)
- Bursting Pressure: 500 psi
- Cycle Test: 0-150 psi, 100,000 cycles

10" x 2.5"	QTY.	1~99	100+
11014	12 pcs	-	-
20" x 2.5"	QTY.	1~99	100+
11026	6 pcs	-	-

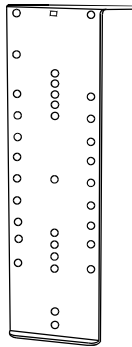
NOTE:

- Filter housing must be protected against freezing
- Must be operated under recommended pressure
- Do not expose filter housings to direct sunlight

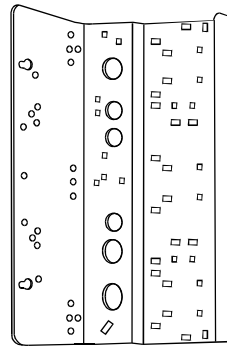
BRACKET



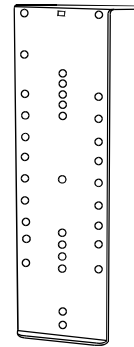
12001



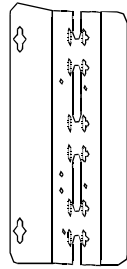
12002



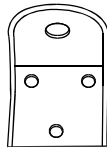
12003



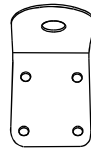
12004



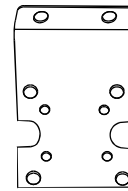
12005



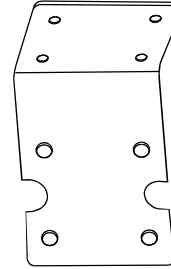
12006



12007

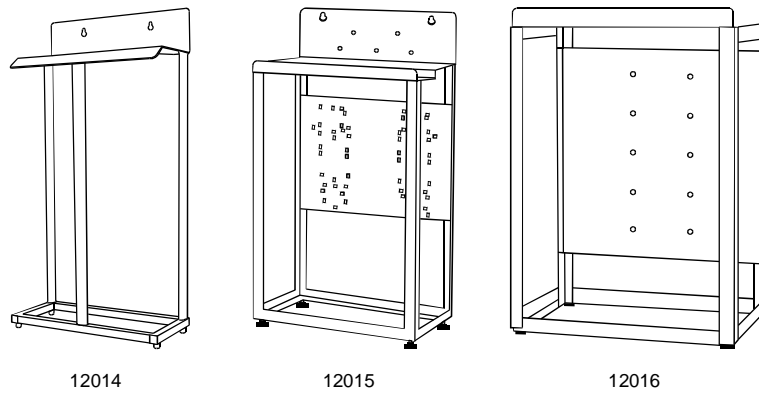
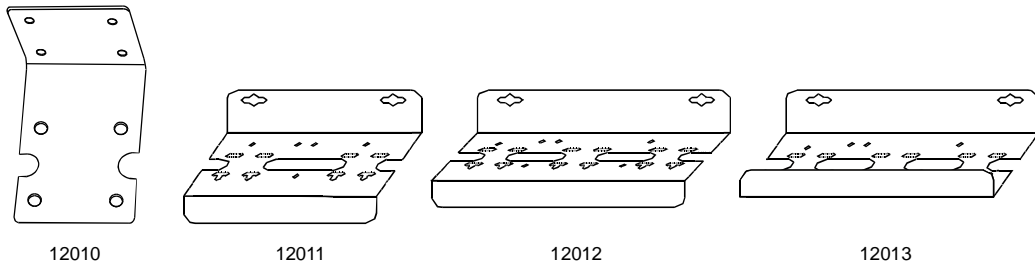


12008



12009

Part No.	Description	QTY.	1~99	100+
12001	Brackets for RO unit	15 pcs	-	-
12002	Brackets for booster pump	100 pcs	-	-
12003	Brackets for RO unit	15 pcs	-	-
12004	Brackets for booster pump	100 pcs	-	-
12005	Brackets for RO unit	12 pcs	-	-
12006	Faucet bracket plastic	100 pcs	-	-
12007	Faucet bracket Stainless	100 pcs	-	-
12008	Housing bracket	100 pcs	-	-
12009	Housing bracket	100 pcs	-	-

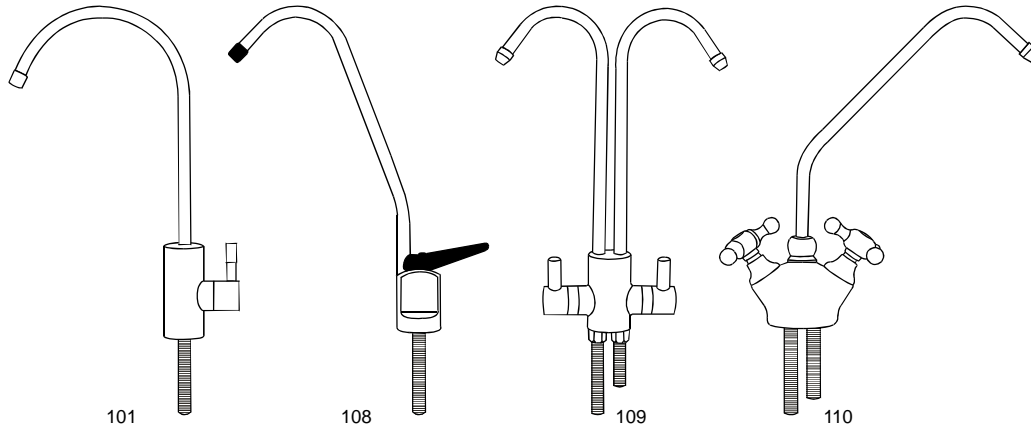


Part No.	Description	QTY.	1~99	100+
12010	Housing bracket For B.B	20 pcs	-	-
12011	Housing bracket	50 pcs	-	-
12012	Housing bracket	50 pcs	-	-
12013	Housing bracket	50 pcs	-	-
12014	B.B Filter bracket	1 pcs	-	-
12015	Brackets for RO600 unit	1 pcs	-	-
12016	Brackets for RO800 unit	1 pcs	-	-

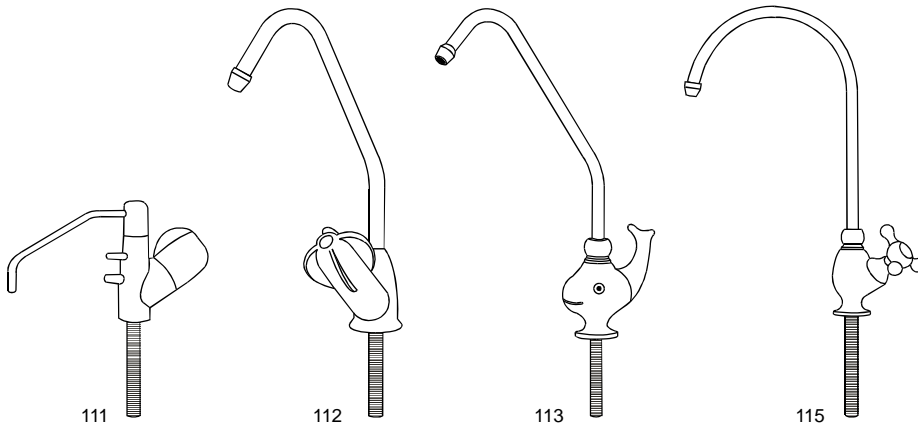
FAUCET

28

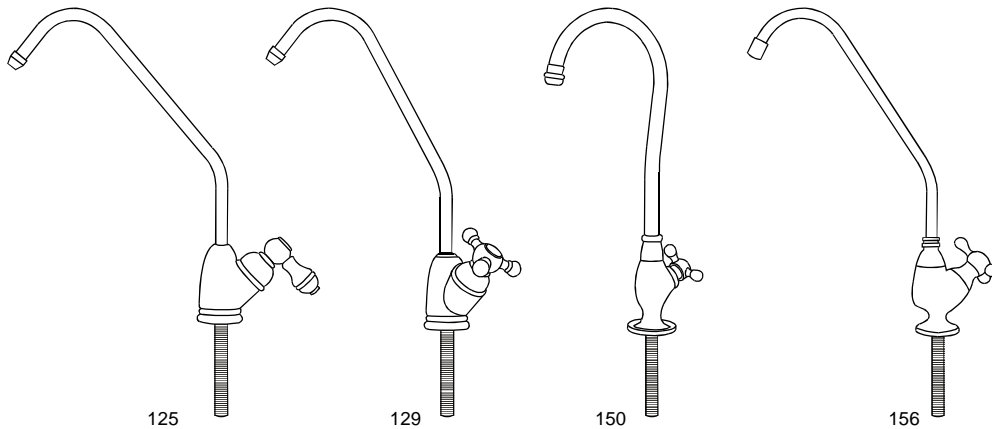
PURE-PRO REVERSE OSMOSIS SYSTEM



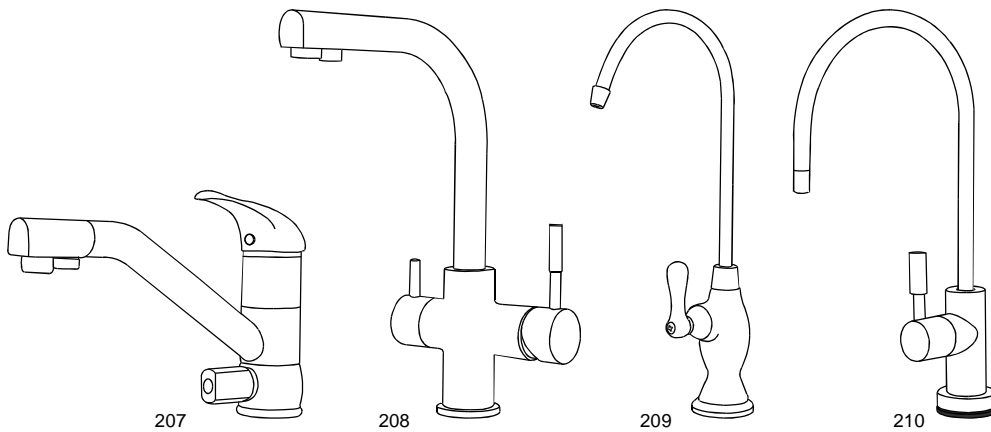
Part No.	Description	Tube	QTY.	1~99	100+
101	Long reach faucet with a ceramic disc valve	1/4"	40 pcs	-	-
108	Press type faucet	1/4"	50 pcs	-	-
109	Double faucet with a ceramic valve enabling water flow from two different sources	1/4"	20 pcs	-	-
110	Double faucet with a ceramic valve enabling water flow from two different sources	1/4"	20 pcs	-	-



Part No.	Description	Tube	QTY.	1~99	100+
111	Special faucet for ionized water systems	1/4"	40 pcs	-	-
112	Long reach faucet with a ceramic disc valve	1/4"	40 pcs	-	-
113	Long reach faucet with a ceramic disc valve	1/4"	40 pcs	-	-
115	Long reach faucet with a ceramic disc valve	1/4"	40 pcs	-	-

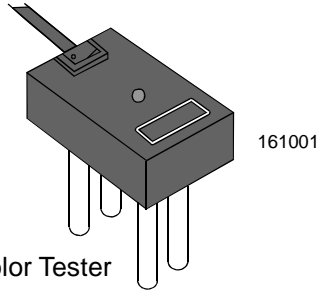


Part No.	Description	Tube	QTY.	1~99	100+
125	Long reach faucet with a ceramic disc valve	1/4"	50 pcs	-	-
129	Long reach faucet with a ceramic valve	1/4"	50 pcs	-	-
150	Long reach faucet with a ceramic valve (triple handle)	1/4"	50 pcs	-	-
156	Long reach faucet with ceramic valve	1/4"	50 pcs	-	-



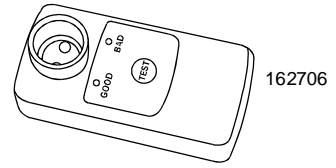
Part No.	Description	Tube	QTY.	1~99	100+
207	New design / Hot cold RO-water Three in one / NSF Certificated (You don't need to drill the hole for RO faucet, just replace the old one)	1/4"	8 pcs	-	-
208	New design / Hot cold RO-water Three in one / NSF Certificated (You don't need to drill the hole for RO faucet, just replace the old one)	1/4"	8 pcs	-	-
209	NSF Certificated / Quick fitting connector	1/4"	30 pcs	-	-
210	NSF Certificated / Big one	1/4"	30 pcs	-	-

WATER TESTER



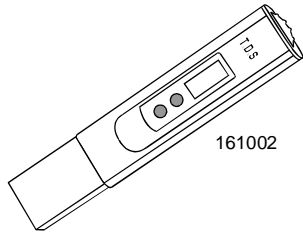
Electronic Color Tester

Part No.	QTY.	10~99	100+
161001	120 pcs	-	-



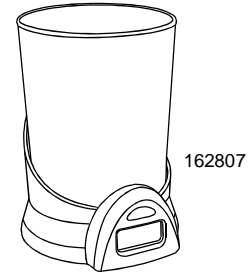
Mini TDS Meter

Part No.	QTY.	10~99	100+
162706	100 pcs	-	-



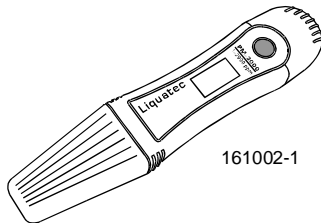
TDS Meter

Part No.	QTY.	10~99	100+
161002	50 pcs	-	-



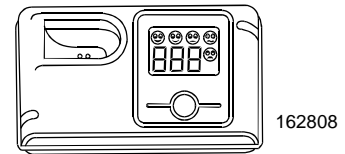
E-Cup

Part No.	QTY.	36~99	100+
162807	36 pcs	-	-



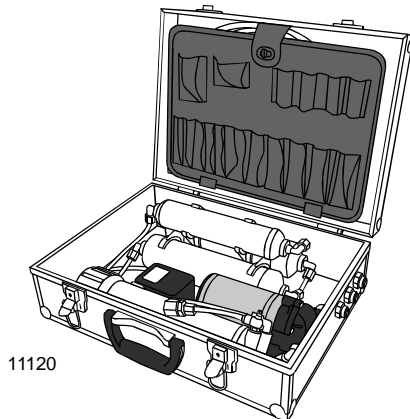
TDS Meter (Liquatec)

Part No.	QTY.	10~99	100+
161002-1	50 pcs	-	-



Water Checker

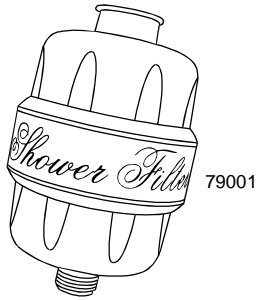
Part No.	QTY.	10~99	100+
162808	10 pcs	-	-



Demo Unit

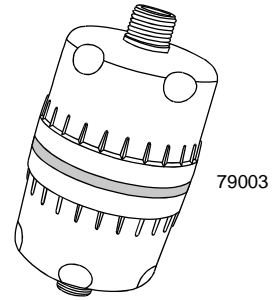
Part No.	QTY.	1~99	100+
11120	1 pcs	-	-

SHOWER FILTER



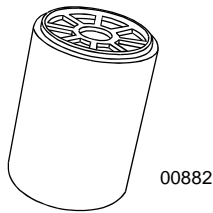
Shower Filter
PRO6000

Part No.	QTY.	16~99	100+
79001	15 pcs	-	-



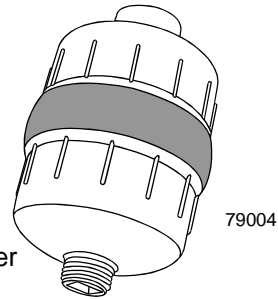
Shower Filter
PRO1500

Part No.	QTY.	10~99	100+
79003	15 pcs	-	-



Replacement filter
for PRO6000

Part No.	QTY.	15~99	100+
00882	30 pcs	-	-



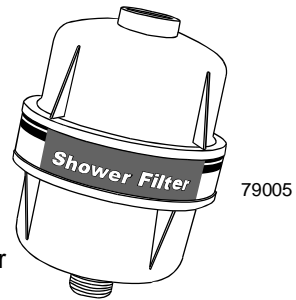
Shower Filter
SD7770

Part No.	QTY.	10~99	100+
79004	15 pcs	-	-



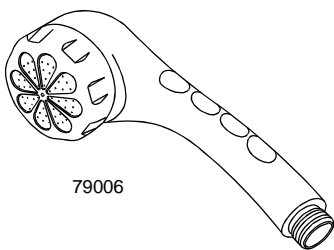
Shower Filter
KDF330

Part No.	QTY.	16~99	100+
79002	15 pcs	-	-



Shower Filter
RM220

Part No.	QTY.	10~99	100+
79005	15 pcs	-	-

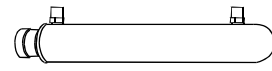


Shower Filter TS33

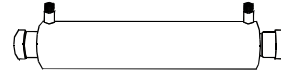
Part No.	QTY.	10~99	100+
79006	15 pcs	-	-

UV Light

One inexpensive and efficient way of disinfecting the water supply is by irradiating it with UV light. It's known that UV light of wavelengths between 250 and 270 nanometers (UV-C or UVC band) is extremely effective in killing many species of bacteria, mold spores, viruses and other microorganisms.



1GPM

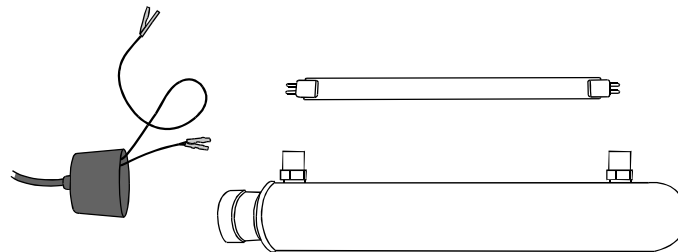


2GPM

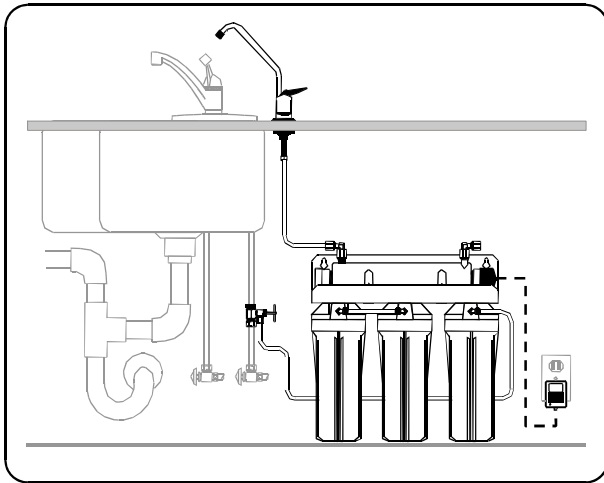


6GPM

Model	Flow Rate	Inlet/Outlet Port Size	120v,240v 50/60hz	Electronic Ballast	Alarm	254nm UV Lamp	Lamp Watts	Quartz Sleeve	Dimension Length x Di	1-99	100+
141501	1GPM	1/4" NPTM	Yes	6W	Yes	Yes	6W	Yes	50.5x320mm	-	-
141502	2GPM	1/4" NPTM	Yes	14W	Yes	Yes	14W	Yes	64x340mm	-	-
141503	6GPM	1/2" NPTM	Yes	32W	Yes	Yes	32W	Yes	64x680mm	-	-
141504	12GPM	3/4" NPTM	Yes	40W	Yes	Yes	39W	Yes	64x900mm	-	-

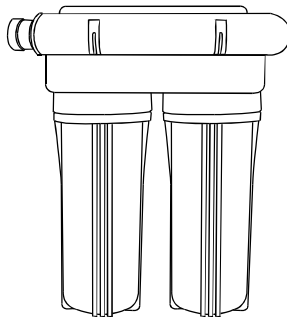


Part No.	Description	QTY.	10+
14005	UV-1G 6W Lamp	10 pcs	-
14006	UV-2G 14W Lamp	10 pcs	-
14007	UV-6G 32W Lamp	10 pcs	-
14008	UV-12G 39W Lamp	5 pcs	-
Part No.	Description	QTY.	10+
14009	UV-1G sleeve	10 pcs	-
14010	UV-2G sleeve	10 pcs	-
14011	UV-6G sleeve	10 pcs	-
14012	UV-12G sleeve	5 pcs	-



It Saves Lives

- Every five minutes, 630 children die from drinking dirty water.
- Contaminated drinking water kills 3.8 million children per year.
- People in most countries don't have the luxury of safe piped water.
- A typical family spends 2 hours per day to boiling the water for drinking.
- No longer fear of drinking water from your own faucet.
- With carbon filter 17 hazardous metals can be eliminated from your water.



UV301

UV301

Specifications:

Production: 1 GPM / 3.8 liters per minute.

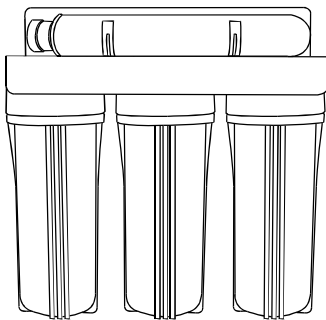
Operation pressure: 15 -85 psi

Dimensions: (cm) 37 (L) x 45(H) x 20 (W)

Weight: 6.0 kg

Model	10~99	100+
-------	-------	------

UV301	-	-
-------	---	---



UV401

UV401

Specifications:

Production: 1 GPM / 3.8 liters per minute.

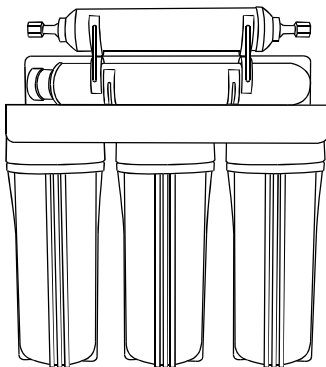
Operation pressure: 15 -85 psi

Dimensions: (cm) 37 (L) x 45(H) x 20 (W)

Weight: 6.5 kg

Model	10~99	100+
-------	-------	------

UV401	-	-
-------	---	---



UV501

UV501

Specifications:

Production: 1 GPM / 3.8 liters per minute.

Operation pressure: 15 -85 psi

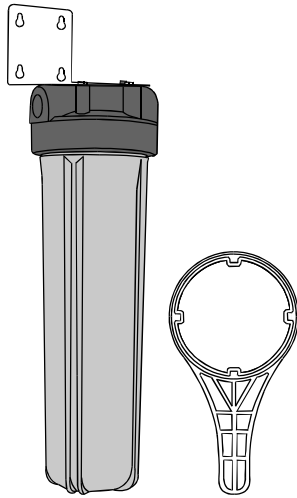
Dimensions: (cm) 37 (L) x 45(H) x 20 (W)

Weight: 8.0 kg

Model	10~99	100+
-------	-------	------

UV501	-	-
-------	---	---

WHOLE HOUSE WATER FILTER SYSTEMS

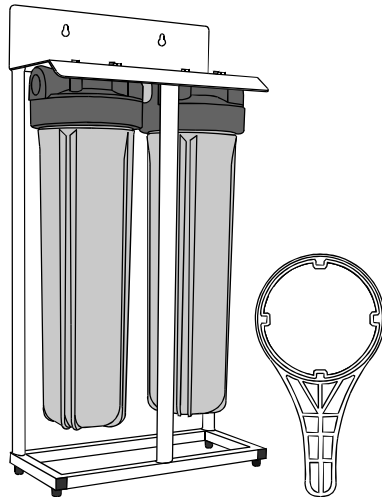


WF-10

WF-10 Big Blue Whole house water filter system

heavy duty 20" Big Blue housing 1" NPT
with pressure release valve

Model	10~99	100+
WF-10	-	-

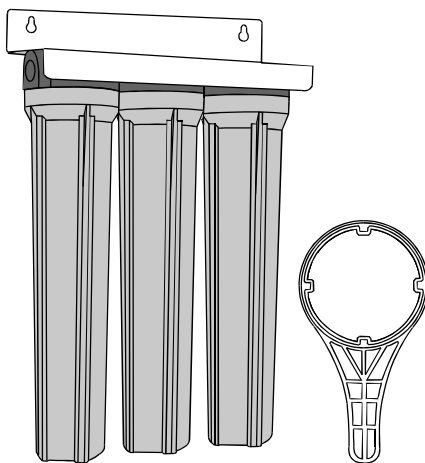


WF-20

WF-20 Big Blue Whole house water filter system

heavy duty 2x 20" Big Blue housing 1" NPT
with floor standing bracket

Model	10~99	100+
WF-20	-	-



WF-30

WF-30 Whole House 3-Stage 20" Slim Line water filter system

Model	10~99	100+
WF-30	-	-

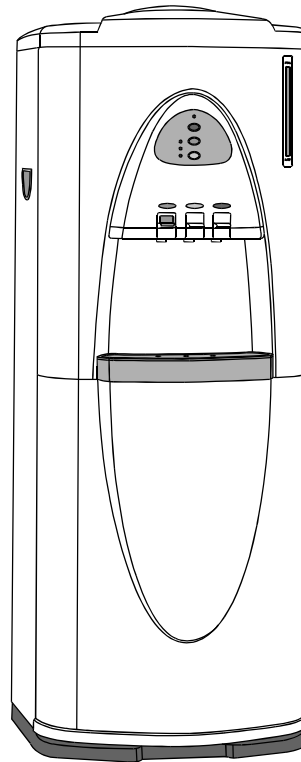
CW-929P

Office RO Systems (Water Cooler)
 Built-in 4 stage RO system offers,
 cold and hot drinking water

Specifications:

- Production: 50 GPD
- Input in AC 110Volt, 220Volt or 240Volt (50/60Hz)
- Operation feed water pressure: 50 psi
- Dimensions: (cm)42 (L) x 110(H) x 37 (W)
- Weight: 22.5 kg

Model	5~99	100~299	300+
CW-929P	-	-	-



CW-929P

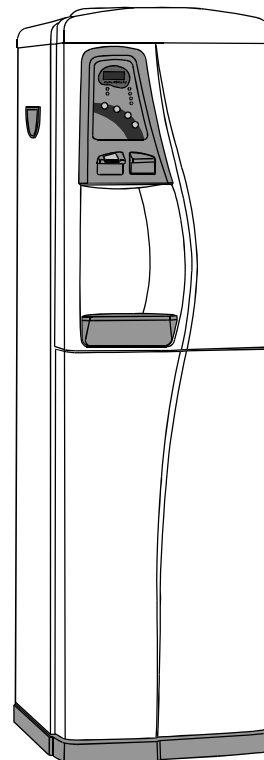
CW-698P

Built-in 4 stage RO system offers,
 cold and hot drinking water

Cooler Features:

- Microprocessor control
- Easy access all the controls and filter cartridges
- Independent Hot/Cold power switches
- Re-heating up to 100° C
- Built-in 4 stage RO system
- Two-Temp, cold and hot water supply
- Automatic heating shutoff when hot tank is empty
- 2.5 gallon capacity reservoir

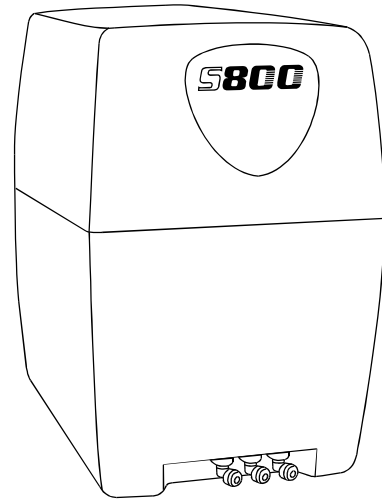
Model	5~99	100~299	300+
CW-698P	-	-	-



CW-698P

The world's most elegant RO system

PurePro S800 system is a modern kitchen appliance that has been carefully designed with health consciousness, efficiency, high performance and convenience in mind. S800 are the world's most elegant water systems and also the world's most attractive water systems.

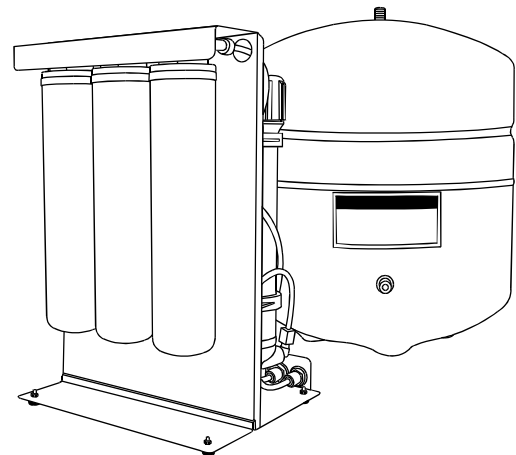


S800

Model	Description	30~99	100~299	300+
S800	The world's most elegant RO units	-	-	-
S800-P	S800 with booster pump	-	-	-
S800-UV	S800 with UV sterilizer	-	-	-
S800-P-UV	S800 with booster pump and UV	-	-	-

Quick-change cartridges RO system

S500 reverse osmosis system uses the most advanced water treatment technology available. Reverse osmosis is recognized as one of the best available technologies for producing high quality drinking water. It's also the same method used by many bottled water companies to make safe and great taste drinking water.



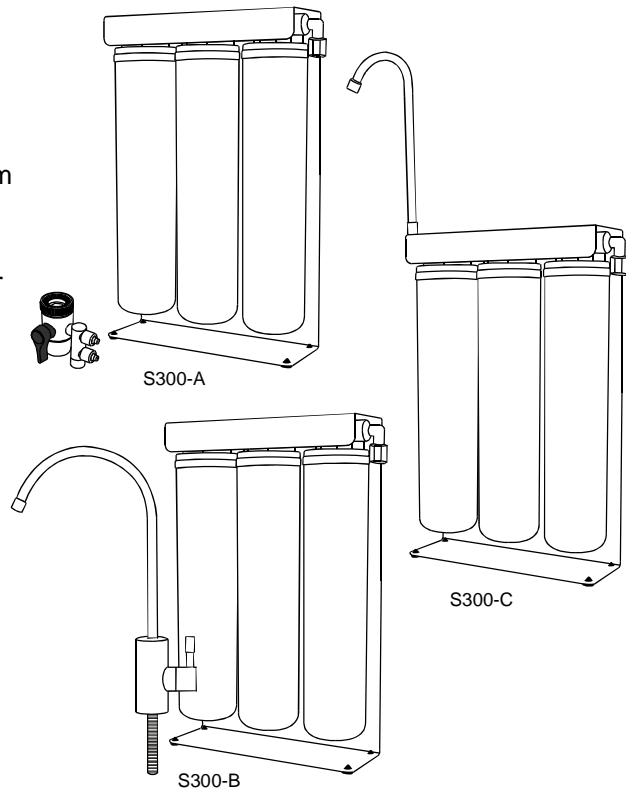
S500

Model	Description	30~99	100~299	300+
S500	Quick-change cartridges RO units	-	-	-
S500-P	S500 with booster pump	-	-	-
S500-UV	S500 with UV sterilizer	-	-	-
S500-P-UV	S500 with booster pump and UV	-	-	-

- Upgrade stainless steel tank (+\$23.2)

Quick-change cartridge water filters

Our S300 safely and effectively removes microorganisms like giardia and cryptosporidium from your water protecting you and your family from parasitic illnesses caused by these contaminants. The patented quick-change filter technology also improves the taste and overall quality of your water by reducing the amount of lead, chlorine, asbestos and other impurities often found in water supplies. Efficient and easy to use, our S300 provides 1500 gallons (four to six months worth) of quality water and connects directly to your tap. This water filtration product is convenient and practical, and will purify up to 1500 gallons of water by removing lead and other heavy metals as well as chlorine, bad tastes and odors.



Model	Description	30~99	100~299	300+
S300-A	With faucet adaptor	-	-	-
S300-B	Undersink type with a European ceramic drinking faucet	-	-	-
S300-C	Countertop type with a drink faucet	-	-	-

(Stage 1) 5 Micron Sediment Filter :

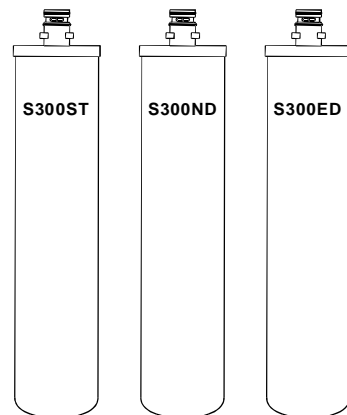
With only five micron rating. It is effective in removing dirt, rust and sand particles.

(Stage 2) Granular Activated Carbon Filter :

Takes out 99% of the chlorine and organic chemicals. Provides enhanced reduction of taste, odor, and color.

(Stage 3) Granular Activated Carbon Filter :

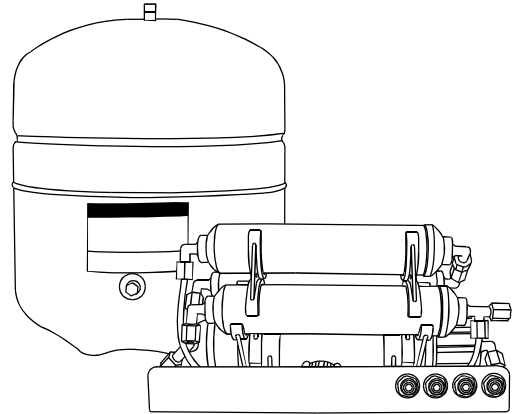
Takes out 99% of the chlorine and organic chemicals. Provides enhanced reduction of taste, odor, and color.



Part No.	Description	QTY.	Unit Price
S300ST	5 micron Sediment Filter (1 Stage)	25 pcs	-
S300ND	Granular Activated Carbon (2 Stage)	25 pcs	-
S300RD	Granular Activated Carbon (3 Stage)	25 pcs	-

Mini, space saving, easy connection 4 stage inline filter RO system

PurePro M300 reverse osmosis system uses the most advanced water treatment technology available. Reverse osmosis is recognized as one of the best available technologies for producing high quality drinking water. It's also the same method used by many bottled water companies to make safe and great tasting drinking water.

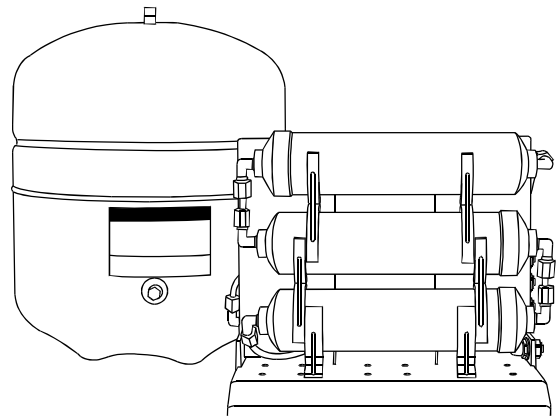


M300

Model	Description	30~99	100~299	300+
M300 Steel tank	4 stage inline filter RO system	-	-	-
M300-P Steel tank	M300 with booster pump	-	-	-
M300-UV Steel tank	M300 with UV sterilizer	-	-	-
M300-P-UV Steel tank	M300 with booster pump and UV	-	-	-

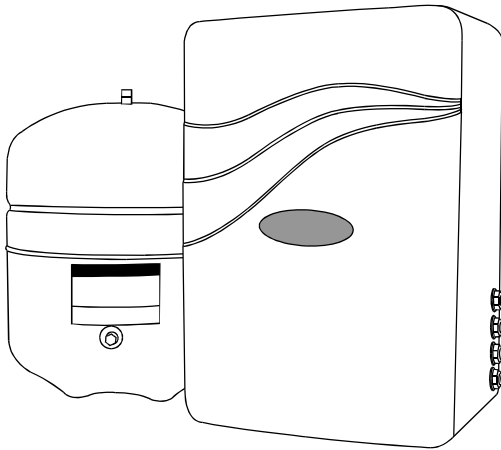
In-Line filter RO systems

PurePro M500 reverse osmosis system uses the most advanced water treatment technology available. Reverse osmosis is recognized as one of the best available technologies for producing high quality drinking water. It's also the same method used by many bottled water companies to make safe and great tasting drinking water.



M500

Model	Description	30~99	100~299	300+
M500 Steel tank	In-Line filter RO systems	-	-	-
M500-P Steel tank	M500 with booster pump	-	-	-
M500-UV Steel tank	M500 with UV sterilizer	-	-	-
M500-P-UV Steel tank	M500 with booster pump and UV	-	-	-



M800

High quality, low cost system

PurePro M800 system is a modern kitchen appliance that has been carefully designed with health consciousness, efficiency, high performance and convenience in mind. PurePro M800 are the world's most elegant water filter systems.

Model	Description	30~99	100~299	300+
M800 Steel tank	In-Line filter RO systems	-	-	-
M800-P Steel tank	M800 with booster pump	-	-	-
M800-UV Steel tank	M800 with UV sterilizer	-	-	-
M800-P-UV Steel tank	M800 with booster pump and UV	-	-	-

(Stage 1) 5 Micron Sediment Filter :

With only five micron rating. It is effective in removing dirt, rust and sand particles.



KF5633PP

(Stage 2) Granular Activated Carbon Filter :

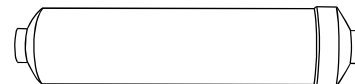
It takes out 99% of the chlorine and organic chemicals. It provides enhanced reduction of taste, odor, and color.



KF5633GAC

(Stage 3) Granular Activated Carbon Filter :

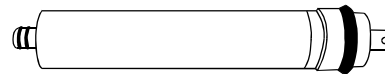
It takes out 99% of the chlorine and organic chemicals. It provides enhanced reduction of taste, odor, and color.



KF5633GAC

(Stage 4) Reverse Osmosis Membrane :

A thin film composite (TFC) high quality membrane that processes 50 gallons per day.



05001

(Stage 5) Inline Post Carbon filter :

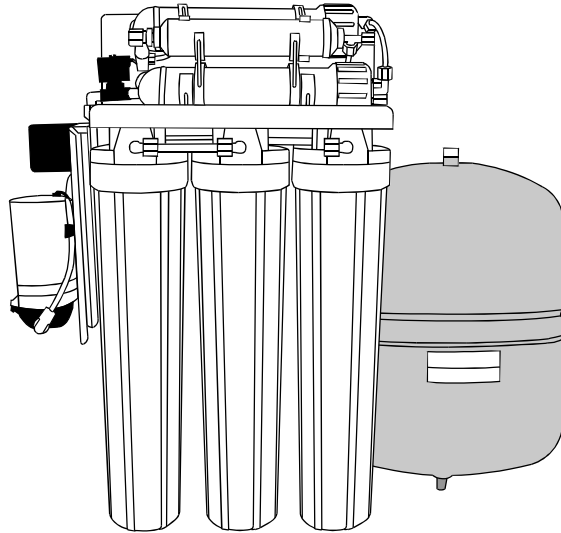
This carbon post filter removes objectionable tastes and odors to enhance the quality of your drinking water.



04007

Part No.	Description	QTY.	Unit Price
KF5633PP	5 micron Sediment Filter (1 Stage)	25 pcs	-
KF5633GAC	Granular Activated Carbon (2 Stage)	25 pcs	-
KF5633GAC	Granular Activated Carbon (3 Stage)	25 pcs	-
05001	50GPD TFC Membrane (4th stage)	25 pcs	-
04007	Post Carbon Filter (5th stage)	25 pcs	-

LIGHT COMMERCIAL RO



RO200

Light commercial RO with 11G tank

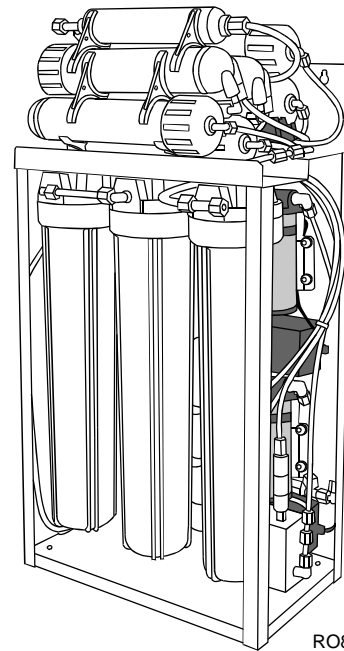
RO-200 improves both the taste and quality of your water. It reduces up to +99% of the chlorine, as well as objectionable odors and sediment. RO-200 also reduces the following hard water contaminants that may be present in your water: lead, cooper, barium, chromium, mercury, sodium, cadmium, fluoride, nitrite, nitrate, and selenium.

Model	1~9	10+
RO200 with 11G tank	-	-

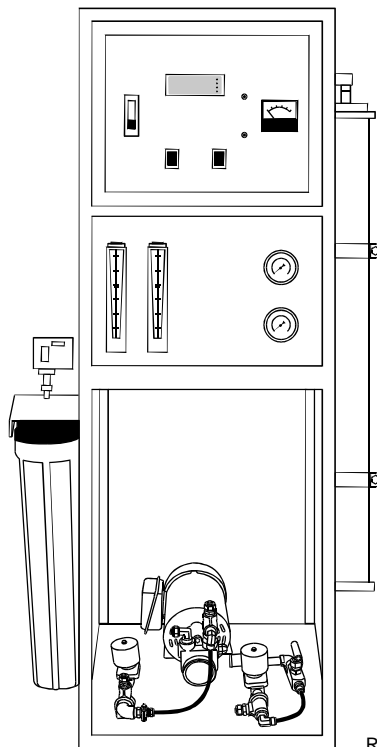
Light commercial RO with 20G tank

RO800 improves both the taste and quality of your water. It reduces up to +99% of the chlorine, as well as objectionable odors and sediment. RO800 also reduces the following hard water contaminants that may be present in your water: lead, cooper, barium, chromium, mercury, sodium, cadmium, fluoride, nitrite, nitrate, and selenium.

Model	1~9	10+
RO800 with 20G tank	-	-



RO800



RO2200

Industrial RO system

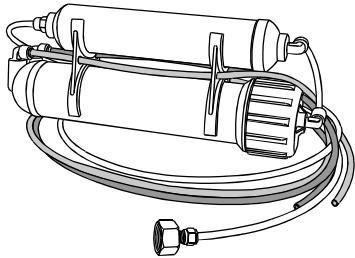
Model	1~9	10+
RO2200	-	-

AQUARIUM RO

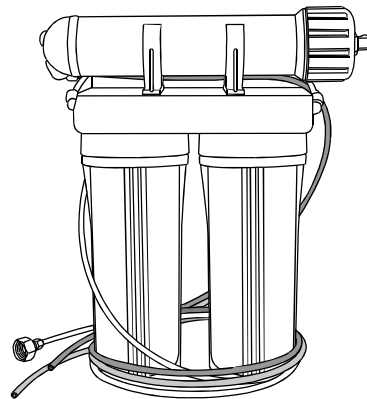
Aquarium RO system

Clean, pure water is a priority for all fish. No equipment is more effective in helping create ideal water conditions as Reverse Osmosis (RO) units. These units filter out up to 99% of chemicals found in tap water by forcing tap water through a semi-permeable membrane that removes 90-99% of tap water impurities. The result is water that is free of minerals and other contaminants.

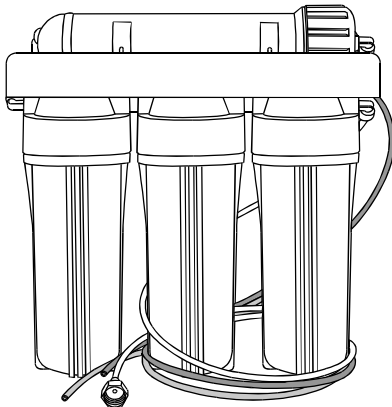
Our Aquarium RO Systems meet stringent standards and far exceeds the quality of systems from other manufacturers. A wide variety of options ranging from economy 3-stage units to top of the line 5-stage RO/DI units are available to suit your exact needs.



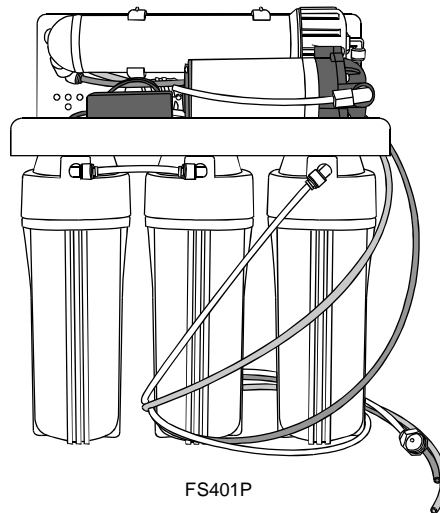
FS201



FS301

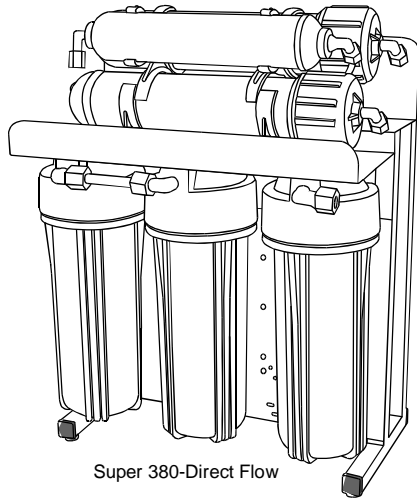


FS401



FS401P

Model	Description	30~99	100~299	300+
FS201	Mini Aquarium RO system	-	-	-
FS301	Aquarium RO system	-	-	-
FS401	Aquarium RO system	-	-	-
FS401P	FS401 with booster pump	-	-	-



Super 380-Direct Flow

Direct flow system, high capacity RO

A high capacity, low cost system. Perfect for offices or small factory. Designed for commercial and residential application. It is suitable for manufacturing, restaurants, food processing industries, shopping centers, schools and hotels.

Provides high quality drinking water with capacity up to 1.2 liters per minutes. Can be installed under or next to kitchen sink. Designed for the direct flow, no tank required, provides maximum output, while taking up minimum space.

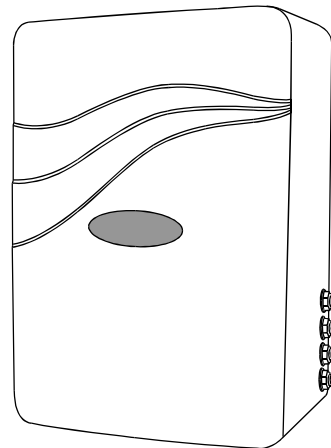
System is equipped with high flow booster pump for increased water production capacity.

Model	5~19	20+
Super 380-Direct Flow	-	-

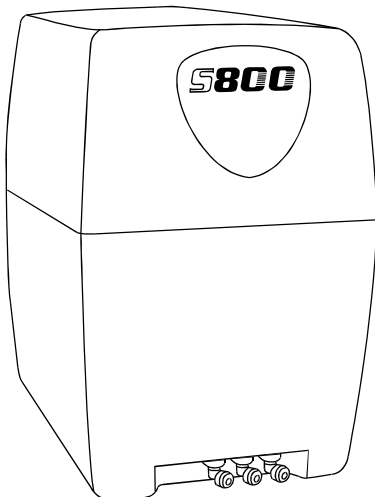
High quality, direct flow system

PurePro M800-Direct Flow system is a modern kitchen appliance that has been carefully designed with health consciousness, efficiency, high performance and convenience in mind. PurePro M800-Direct Flow are the world's most elegant design water filter system. Output 1.2 liters per minutes. No tank required.

Model	5~19	20+
M800-Direct Flow	-	-



M800-Direct Flow

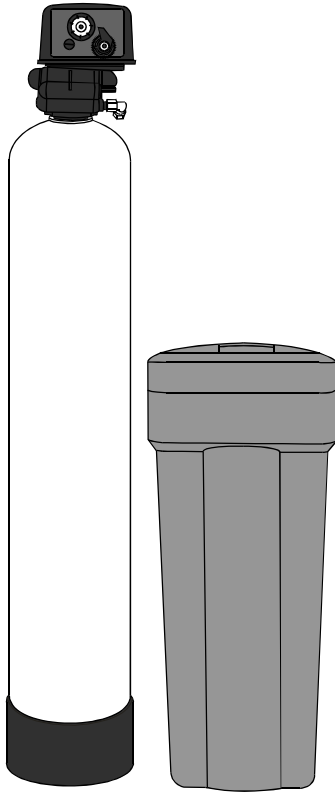


S800-Direct Flow

A revolutionary breakthrough design

Enjoy an unlimited flow of fresh purified water with the PurePro S800-Direct Flow RO system. The S800-Direct Flow with its award-winning design and quality provides a maximum direct flow of fresh water. PurePro New S800-Direct Flow system that has been carefully designed with health consciousness, efficiency, high performance and convenience in mind.

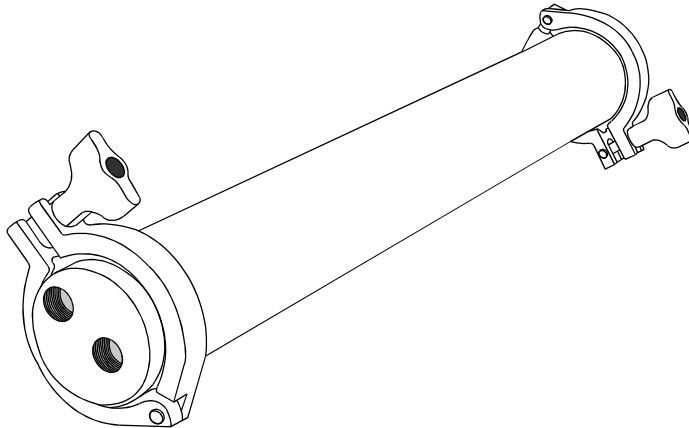
Model	5~19	20+
S800-Direct Flow	-	-



Model	1~9	10+
30L Water softener + salt tank	-	-
50L Water softener + salt tank	-	-
80L Water softener + salt tank	-	-
100L Water softener + salt tank	-	-
120L Water softener + salt tank	-	-



STAINLESS STEEL PRESSURE VESSEL



Model	1~9	10+
4021-12	-	-
4040-12	-	-
4040-34	-	-
4080-34	-	-
2521-38	-	-
2540-38	-	-

ORDER FORM

DATE: _____

P.O.#: _____

ORDER BY: (Please print)

Name: _____

Company Name: _____

Address: _____

City: _____ State: _____

Zip: _____ Country: _____

Phone: _____ Fax: _____

SHIP TO: (If different from ORDER BY)

Name: _____

Company Name: _____

Address: _____

City: _____ State: _____

Zip: _____ Country: _____

Phone: _____ Fax: _____

Please make additional copies for future orders

QUANTITY	MODEL NO.	DESCRIPTION	UNIT PRICE	AMOUNT

SUBTOTAL	
INSURANCE	
DELIVERY CHARGE	
TOTAL AMOUNT	

SHIP VIA:

- UPS Ground
- Sea Freight
- Air Freight

METHOD OF PAYMENT:

Visa / MasterCard*
□□□□ □□□□ □□□□ □□□□ Exp. _____
Signature _____

INTERNATIONAL ORDER:

- Wire Transfer
 - Letter of Credit At Sight
- ※With total amount of USD 28,000 ↑

Thank You

We accept:



*Credit card payment subject to a 2.5% bank fee